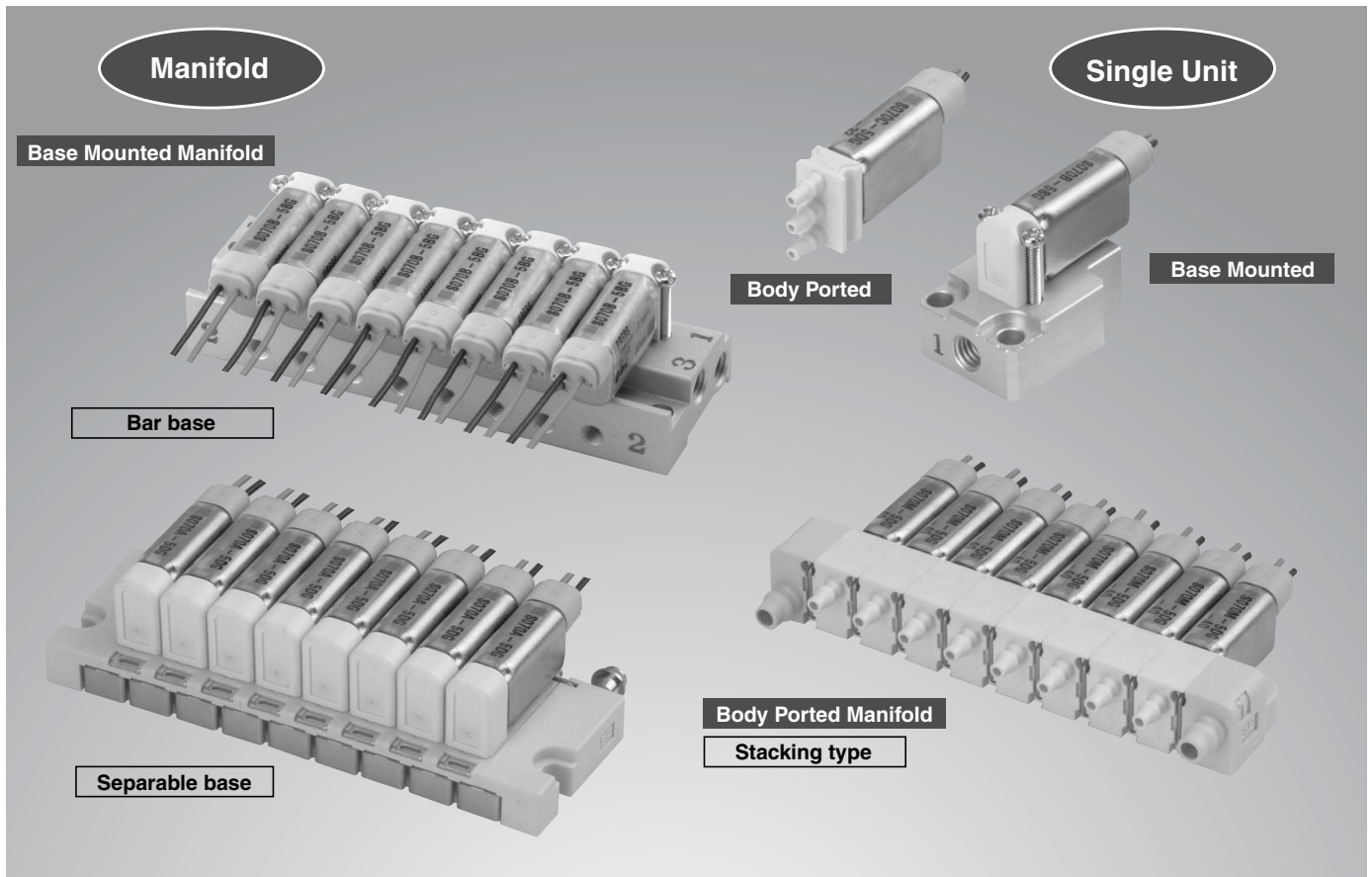
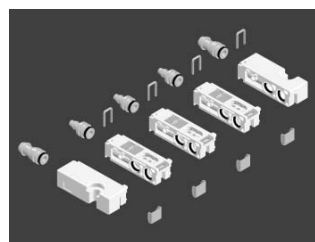
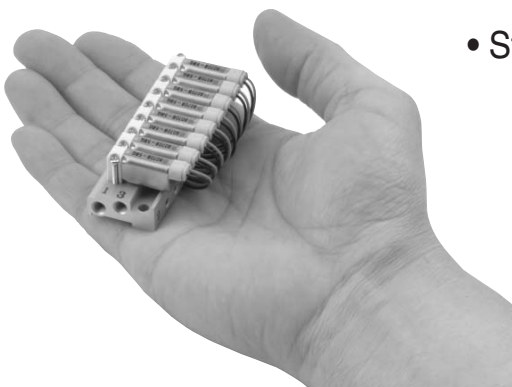


3 Port Solenoid Valve Series S070

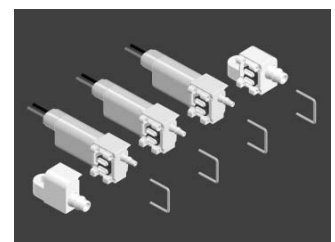


V100
SY
SYJ
VK
VZ
VT
VP
VG
VP
S070
VQ
VKF
VQZ
VZ
VS
VFN

- Valve width **7** mm
- Weight **5** g (single unit valve)
- Power consumption **0.35** W (Standard),
0.1 W (With power saving circuit)
- Operation noise **38** dB (A) or less
- Sonic conductance: C **0.083** [dm³/(s·bar)]
- Stacking type manifold



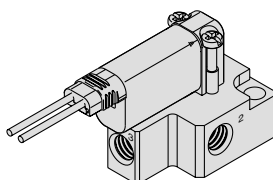
Separable base



Stacking type

3 Port Solenoid Valve Compact Direct Operated Series **S070**

How to Order Valve

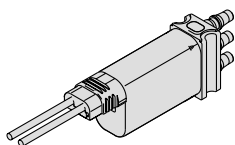


Base mounted

S070 B - 5 B G - []

Body ported

S070 C - 5 B G - 32



Body type

Symbol	Body type
B	Base mounted with screws

Port size

Symbol	Sub-plate
Nil	Without sub-plate
M3	With sub-plate
M5	

Body type

Symbol	Body type
C	Body ported

Port size

Symbol	Connection	Applicable tubing
32	Barb fitting	ø3.18/ø2

Coil voltage

5	24 VDC
6	12 VDC
V	6 VDC
S	5 VDC
R	3 VDC

Electrical entry

G – Grommet	C – Plug lead with light/surge voltage suppressor

Power consumption – Pressure specification – Flow rate

Symbol	Power consumption (W)	Maximum operating pressure (MPa)	Cv factor
A	0.35	0.1	0.021
B		0.3	0.011
C	0.5	0.3	0.021
D		0.5	0.011
E <small>Note)</small>	0.1 <small>(With power saving circuit)</small>	0.1	0.011
F <small>Note)</small>		0.3	0.006

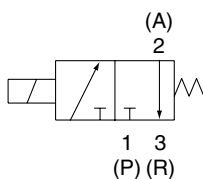


Note) An option only applicable to 24 VDC plug lead type.

3 Port Solenoid Valve Compact Direct Operated Series S070



JIS Symbol



Specifications

Valve construction	Poppet
Fluid	Air/Inert gas/Low vacuum (1.33×10^2 Pa)
Maximum operating pressure	0.3 MPa (0.35 W, 0.1 W), 0.5 MPa (0.5 W)
Proof pressure	1 MPa
Ambient and fluid temperature ^{Note 1)}	-10 to 50°C
Lubrication	Not required
Impact/Vibration resistance ^{Note 2)}	30/150 m/s ²
Enclosure	IP40
Weight	5 g (Single unit valve)
Mounting orientation	Free



Note 1) Use dry air and prevent condensation at low temperatures.

Note 2) Vibration resistance: No malfunction resulted in 45 to 2000 Hz, a one-sweep test performed in the axial and right angle directions of the main valve and armature for both energized and de-energized states.

Impact resistance: No malfunction resulted in an impact test using a drop impact tester. The test was performed one time each in the axial and right angle directions of the main valve and armature, for both energized and de-energized states.

With the 0.1 W specification, the vibration and impact resistance is 10/50 m/s² or less.

Note 3) With the low vacuum specification, the operating pressure range is 1.33×10^2 Pa to the maximum operating pressure.

Solenoid Specifications

Power consumption ^{Note 1)}	0.35 W (Standard), 0.5 W (High voltage), 0.1 W (Holding)
Rated coil voltage	3, 5, 6, 12, 24 VDC
Allowable voltage fluctuation ^{Note 2)}	±10% of the rated voltage
Coil insulation type	Equivalent to class B



Note 1) With a light/surge voltage suppressor and power saving circuit, the light consumes a power equivalent to 2 mA.

Note 2) With a power saving circuit, keep the voltage fluctuation within 24 VDC ± 5%.

Flow Specifications/Response Time

Power consumption	Maximum operating pressure	Flow characteristics			Response time ms ^{Note 2)}	
		C[dm ³ /(s·bar)]	b	Cv	ON	OFF
0.5 W DC	0.5 MPa	0.042	0.27	0.011	3 or less	3 or less
	0.3 MPa	0.083	0.28	0.021	5 or less	3 or less
0.35 W DC	0.3 MPa	0.042	0.27	0.011	3 or less	3 or less
	0.1 MPa	0.083	0.28	0.021	5 or less	3 or less
0.1 W DC (at holding) with power saving circuit ^{Note 1)}	0.3 MPa	0.021	0.27	0.006	3 or less	6 or less
	0.1 MPa	0.042	0.28	0.011	5 or less	6 or less



Note 1) With the 0.1 W DC specification, keep the vibration/impact within 10/50 m/s².
0.35 W DC at inrush (20 ms) and 0.1 W DC at holding.

Note 2) The response time is the value at the rated voltage and maximum operating pressure.

V100

SY

SYJ

VK

VZ

VT

VP

VG

VP

S070

VQ

VKF

VQZ

VZ

VS

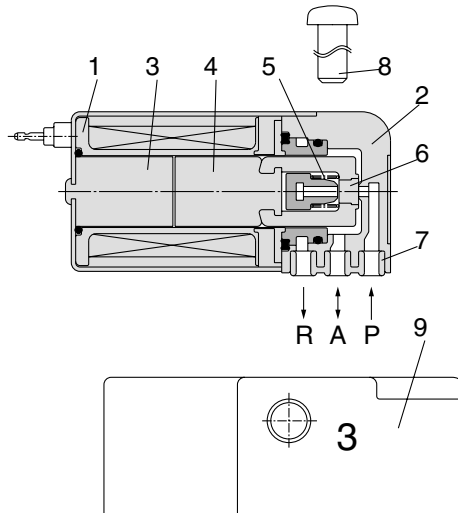
VFN

Series S070

Construction

Component Parts

Number	Description	Material
1	Solenoid coil	—
2	Body	Resin
3	Core	Stainless steel
4	Armature assembly	Stainless steel, resin
5	Return spring	Stainless steel
6	Poppet	FKM
7	Interface gasket	FKM
8	Round head combination screw	Carbon steel
9	Sub-plate	Aluminum



* The above figure is an example of S070B-□□G base piping type (mounted with screws).

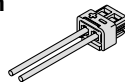
Replacement Parts

Plug connector assembly (for plug lead)

S070-14A-

● Lead wire length

Nil	150 mm
3	300 mm
6	600 mm
10	1000 mm

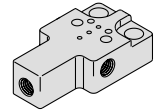


Sub-plate

S070-S- M3

● Port size

M3	M3 female thread
M5	M5 female thread



Gasket

Valve model	Gasket no.
S070A	S070A-80A-1
S070B	S070B-80A-1
S070M	S070M-80A-1



Note) Order is accepted in 10 units.

Mounting screw

Valve model	Mounting screw no.
S070B	AXT632-106A-1
S070C	AXT632-106A-2



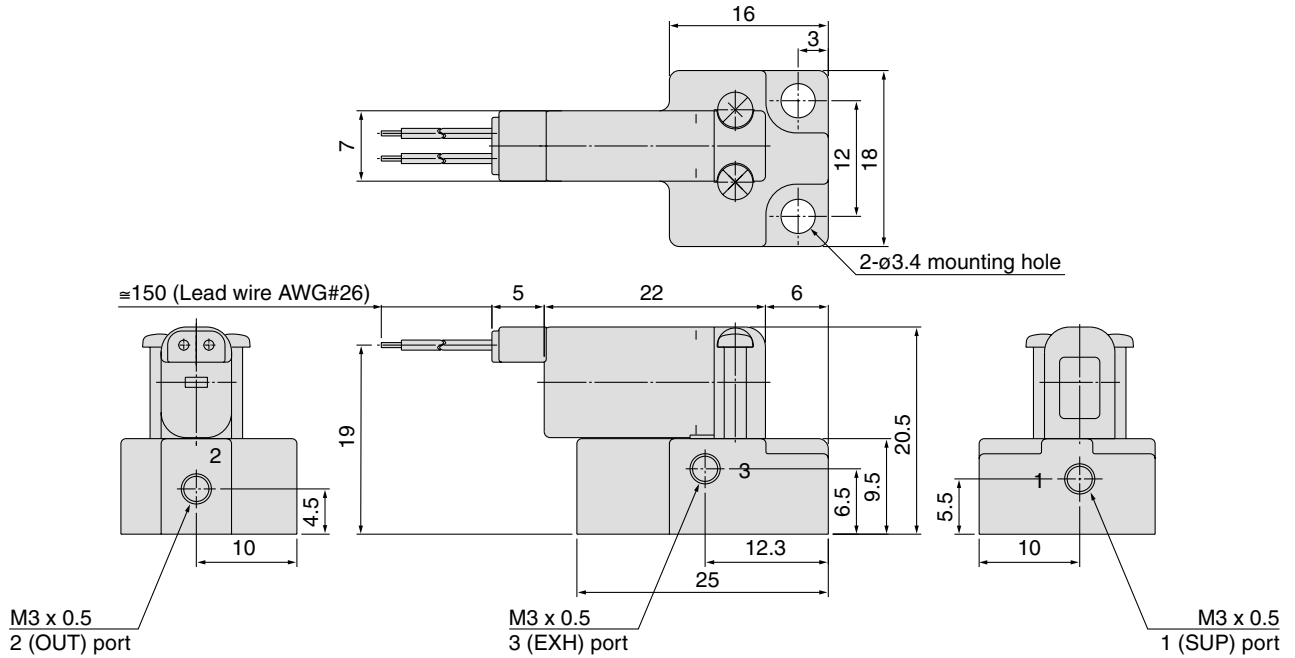
Note) Each of the above part numbers is for two screws, which are to be ordered by 10 units. Order is accepted in 10 units.

3 Port Solenoid Valve Compact Direct Operated Series S070

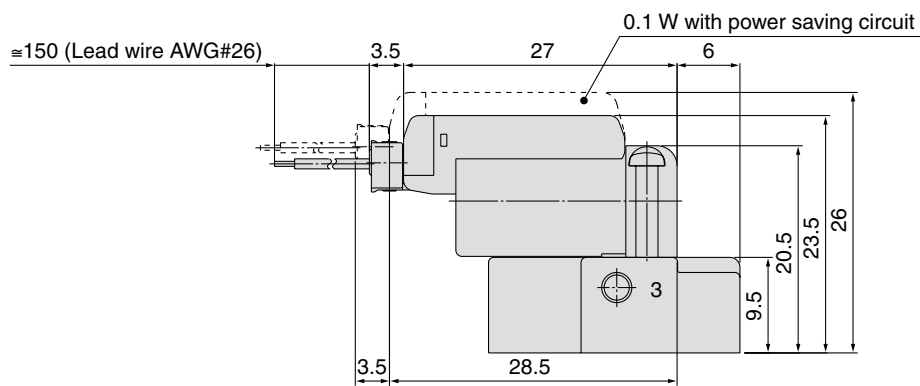
Dimensions

Base mounted with screws

S070B-□□G-M3
Grommet type



S070B-□□C-M3
Plug lead type



V100
SY
SYJ
VK
VZ
VT
VP
VG
VP
S070
VQ
VKF
VQZ
VZ
VS
VFN

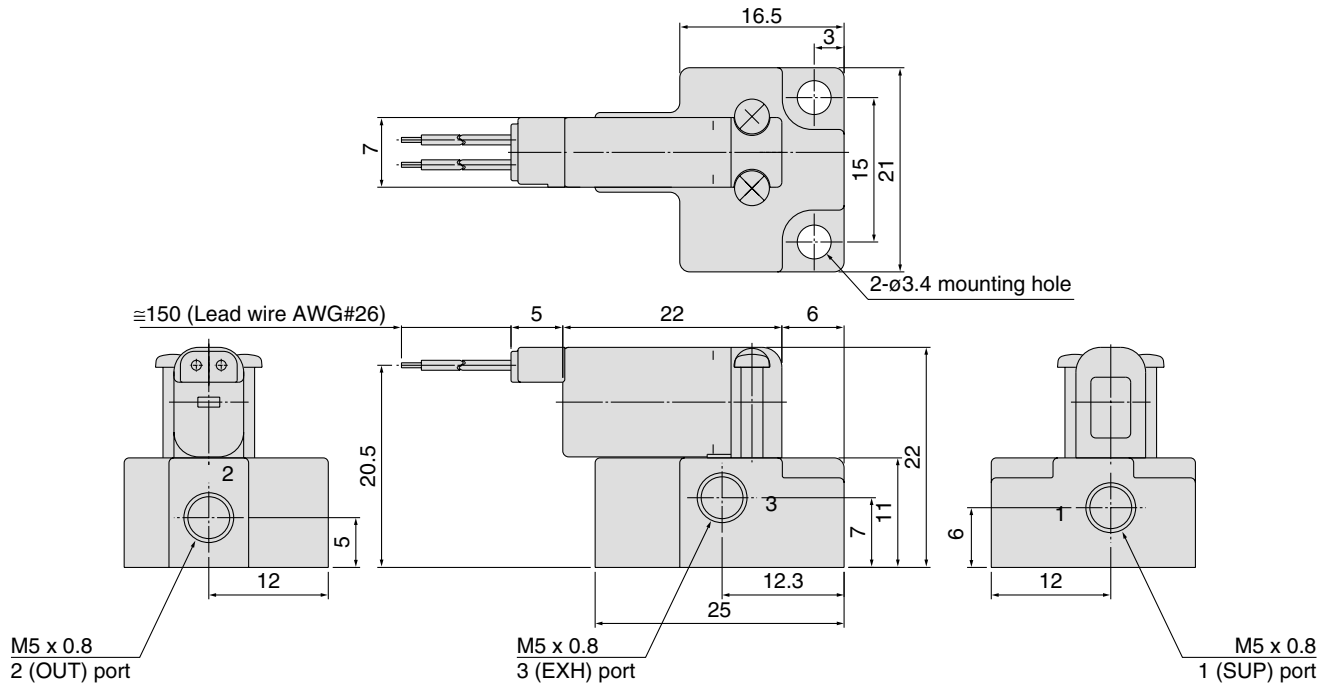
Series S070

Dimensions

Base mounted with screws

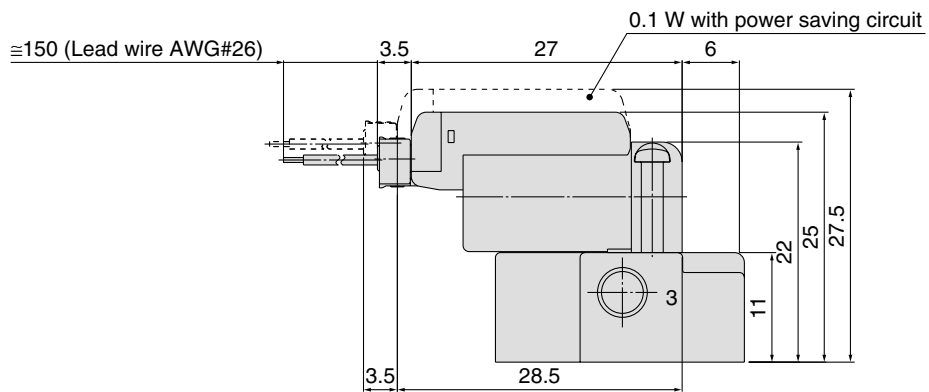
S070B-□□G-M5

Grommet type



S070B-□□C-M5

Plug lead type

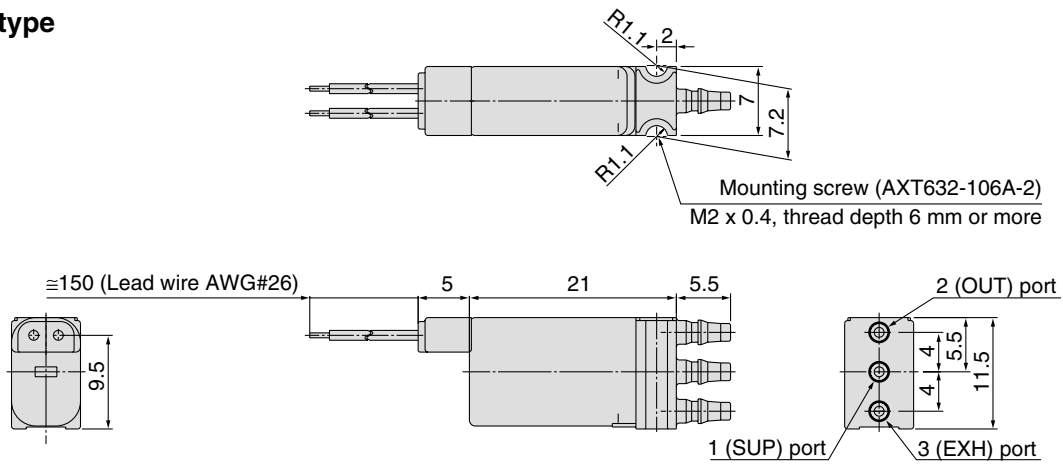


3 Port Solenoid Valve Compact Direct Operated **Series S070**

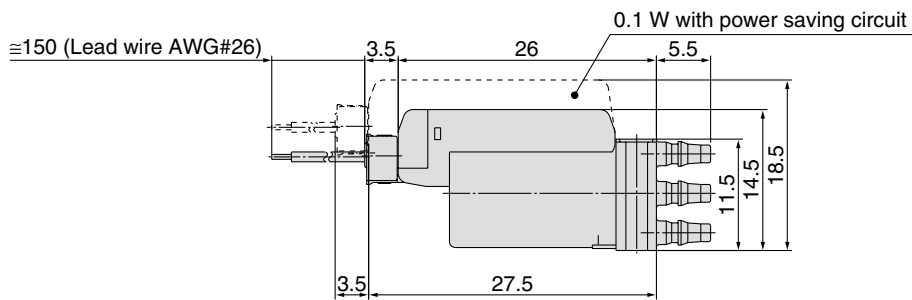
Dimensions

Body ported

S070C-□□G-32
Grommet type



S070C-□□C-32
Plug lead type



V100
SY
SYJ
VK
VZ
VT
VP
VG
VP
S070
VQ
VKF
VQZ
VZ
VS
VFN