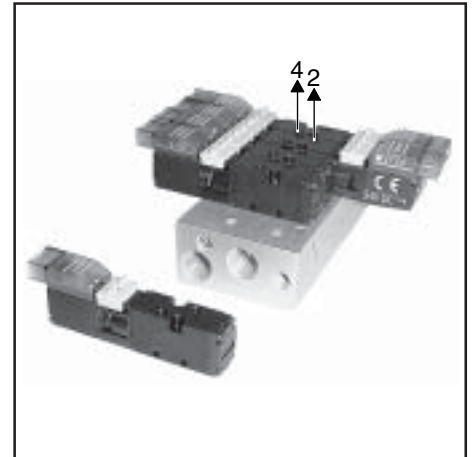
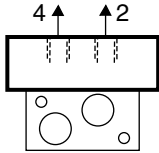


SPECIFICATIONS

FLUID : Air or neutral gas, non lubricated, filtered at 5 µm
 OPERATION PRESSURE : 2 to 8 bar
 ALLOWABLE TEMPERATURE : + 5 °C to + 50 °C
 Ø ORIFICES : 1.6 mm
 FLOW (Qv at 6 bar) : see table below
 MANUAL OVERRIDE : By impulse and maintained
 PARTICULARITY : These M3 threaded control valves also fit subbases : common ports 1 and (3-5) on subbase and load ports 2 - 4 on control valve, at the upper parts.



1 = Pressure
 2.4 = Outlets
 3.5 = Exhausts

CONSTRUCTION

BODY : Light alloy, polyamide
 INTERNAL PARTS : Light alloy + brass + stainless steel
 SEALS : Nitrile (NBR) + PU
 CONNECTOR : M 3

ELECTRICAL CHARACTERISTICS

Voltage *)	Consumption	Insulation class	Degree of protection	Electrical connection
24V = (+10%, -15%) 12 V = 5 V =	1 W	F	IP 40	Connector with two 0.5 mm ² lead wires + built-in LED and electrical protection or cable ends, 0,5 m long

The solenoid valves are designed for continuous operation within the maximum ambient temperature limits. *) Other voltages on request.

5

CHOICE OF EQUIPMENT

Symbol / Function	Operators		Flow		Response time (ms)		Consumption W	Type of electrical connection (*)	CODES ¹⁾
	Pilot	Return	at 6 bar (l/min)	KV	ON	OFF			
3/2 	Solenoid air	Differential	100	1,43	9	25	1,3	1	518 01 001
								2	518 01 126
	3	518 01 127							
	4	518 01 128							
	5	518 01 129							
5/2 	Solenoid air	Differential	9	25	1,3	1,3	1	518 01 003	
							2	518 01 130	
	3	518 01 131							
	4	518 01 132							
	5	518 01 133							
5/3 	Pressure held W1 Solenoid air operated	Differential	8	15	1,3	1,3	1	518 01 020	
							2	518 01 134	
	3	518 01 135							
	4	518 01 136							
	5	518 01 137							
5/3 	Pressure released W3 Solenoid air operated	Solenoid air	6	—	1,3	1,3	1	518 01 022	
							2	518 01 138	
	3	518 01 139							
	4	518 01 140							
	5	518 01 141							
5/3 	Pressure held W1 Solenoid air operated	Differential	8	15	1,3	1,3	1	518 01 030	
							2	518 01 142	
	3	518 01 143							
	4	518 01 144							
	5	518 01 145							
5/3 	Pressure released W3 Solenoid air operated	Solenoid air	8	15	1,3	1,3	1	581 01 032	
							2	518 01 146	
	3	518 01 147							
	4	518 01 148							
	5	518 01 149							

(*) Typ 1,2,3, 4 with LED and electrical protection

1 = horizontal, width 5,08 mm
 2 = vertical, width 5,08 mm

3 = horizontal, width 2,54 mm

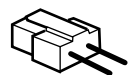
4 = vertical, width 2,54 mm

5 = Cable ends 0,5 m long, 0,25 mm²

¹⁾ The connectors must be ordered **separately** indicating the quantity and one of the following codes:

Connectors with 2 lead wires
 Pin spacing 5,08 mm - Length 0,5 m - Code: 881 18 801
 - Length 1,5 m - Code: 881 18 802
 - Length 3 m - Code: 881 18 803

Pin spacing 2,54 mm - Length 0,5 m - Code: 881 18 806
 - Length 1,5 m - Code: 881 18 807
 - Length 3 m - Code: 881 18 808



SUBBASES : see overleaf

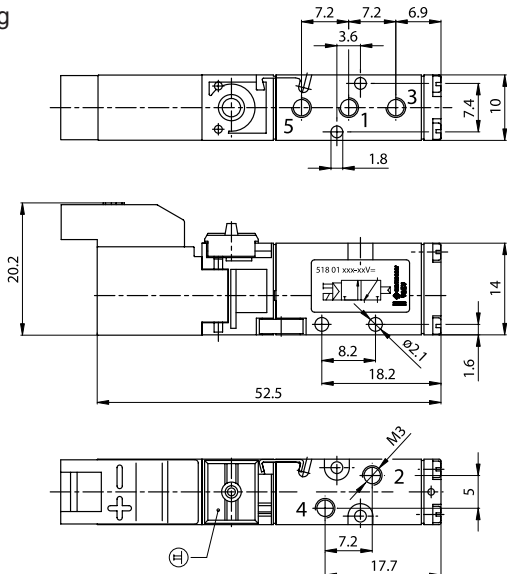
DIMENSIONS

MICRO SPOOL-VALVES 3/2 ; 5/2 **Codes 518 01 001 , 518 01 003, 518 01 020**

Weights:

Spool-valve: 23 g

1 connector: 5 g

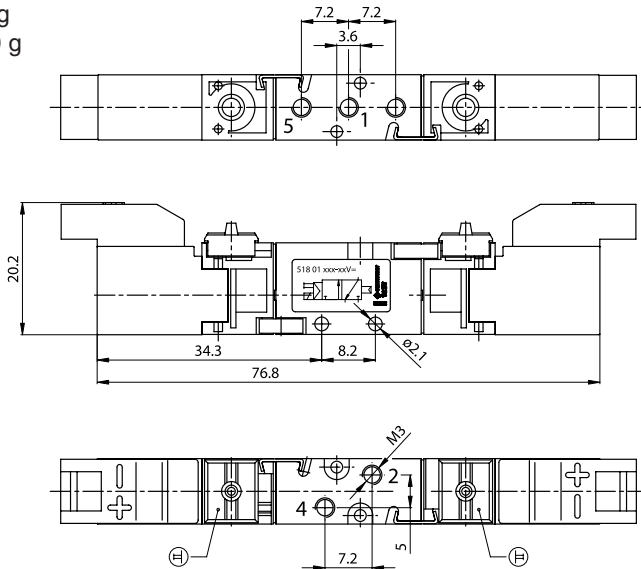


IMPULSE MICRO SPOOL-VALVE 5/2 **Code 518 01 022**

Weights:

Spool-valve: 37 g

2 connectors: 10 g

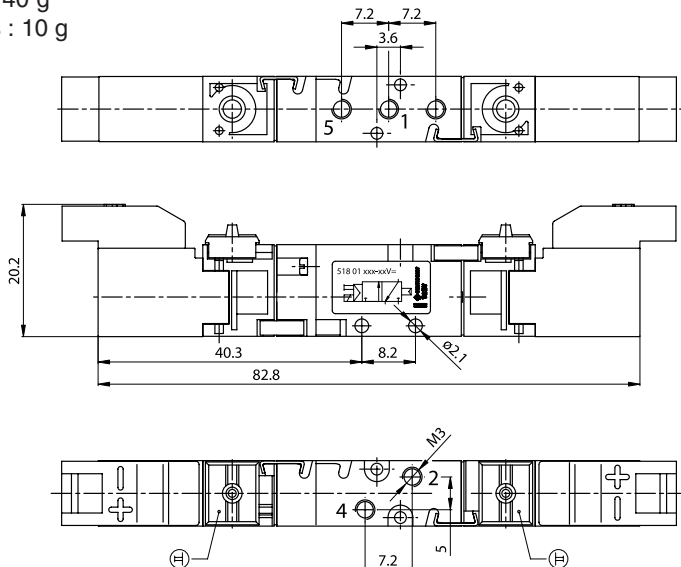


MICRO SPOOL-VALVES 5/3 **518 01 030, 518 01 032**

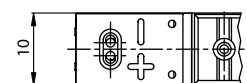
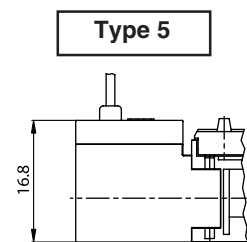
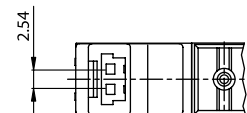
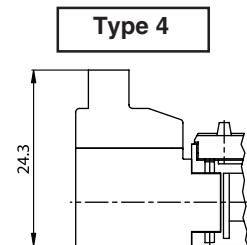
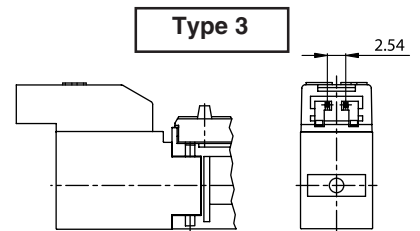
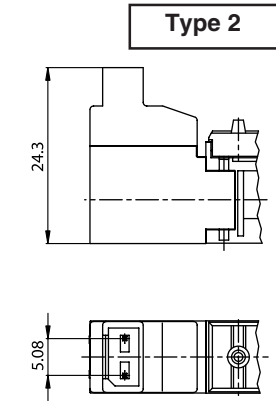
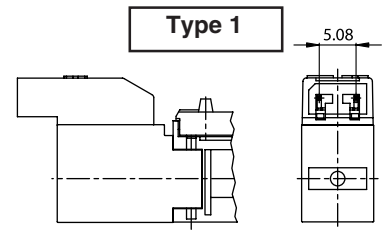
Weights:

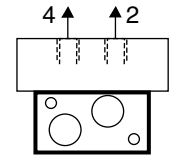
Spool-valve: 40 g

2 connectors : 10 g



ELECTRICAL CONNECTION





CONSTRUCTION

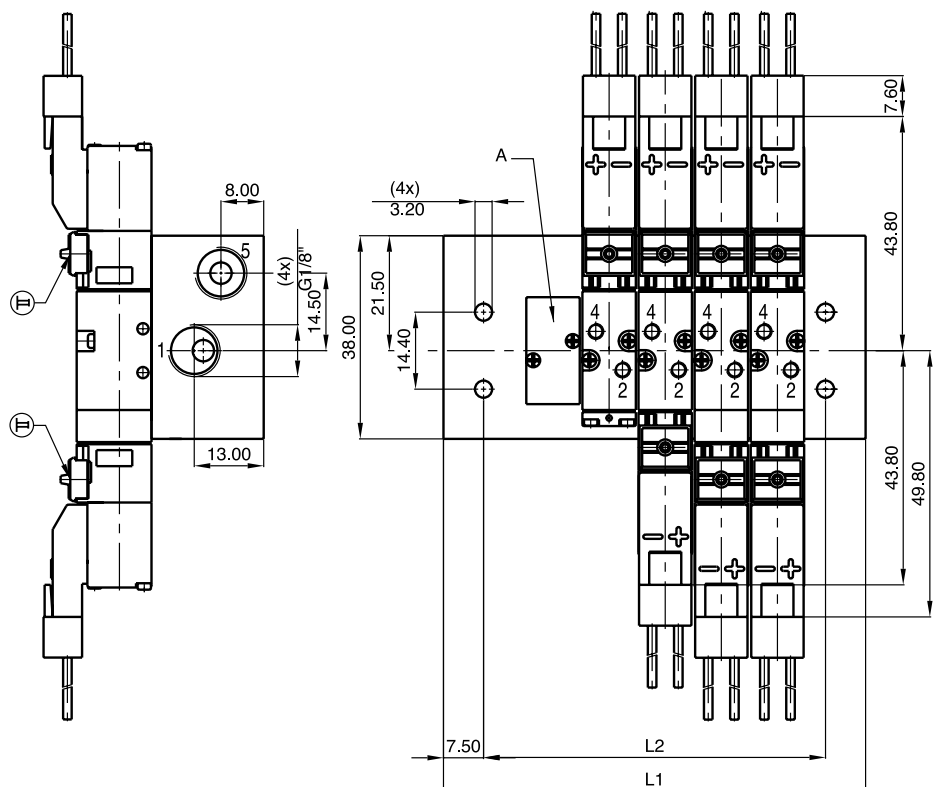
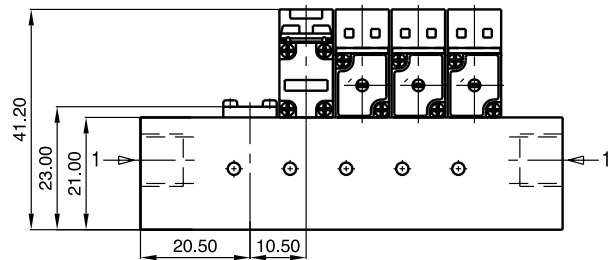
- Connection (2 - 4) : ØM3 (at the **upper** part of spool valves)
- Material : Light alloy
- Collected connection : Pressure - G 1/8 (1)
Exhaust - G 1/8 (5)
Collected pilot exhaust Ø M5 (82/84)
The 1-5-82-84 ports can be connected to both ends - Subbases are delivered with sealing plugs.



DIMENSIONS

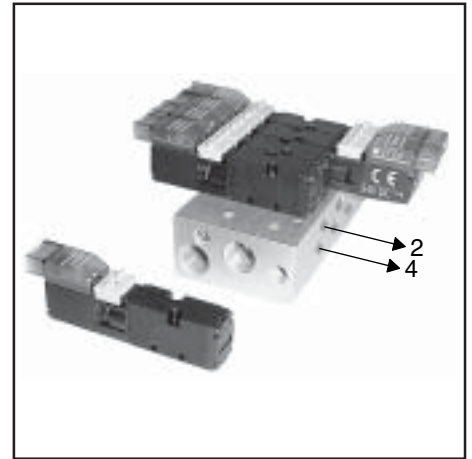
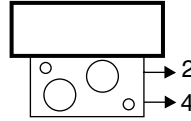
CODE	No. of spool-valves	Length		Subbases weights (in g)
		L1	L2	
355 00 232	2	47,5	32,5	98
355 00 233	3	58	43	123
355 00 234	4	68,5	53,5	146
355 00 235	5	79	64	172
355 00 236	6	89,5	74,5	195
355 00 237	7	100	85	220
355 00 238	8	110,5	95,5	245
355 00 239	9	121	106	270
355 00 240	10	131,5	116,5	293

A - Blanking plate : **Code 881 35 533**



SPECIFICATIONS

FLUID : Air or neutral gas, non lubricated, filtered at 5 µm
 OPERATION PRESSURE : 2 to 8 bar
 ALLOWABLE TEMPERATURE : + 5 °C to + 50 °C
 Ø ORIFICE : 1.6 mm
 FLOW (Qv at 6 bar) : see table below
 MANUAL OVERRIDE : By impulse and maintained



CONSTRUCTION

BODY : Light alloy, polyamide
 INTERNAL PARTS : Light alloy + brass + stainless steel
 SEALS : Nitrile (NBR) + PU
 CONNECTION : Subbase-mounted

1	= Pressure
2.4	= Outlets
3.5	= Exhausts

ELECTRICAL CHARACTERISTICS

Voltage *)	Consumption	Insulation class	Degree of protection	Electrical connection
24V = (+10%, -15%) 12 V = 5 V =	1 W	F	IP 40	Connector with two 0.5 mm ² lead wires + built-in LED and electrical protection or cable ends, 0,5 m long

The solenoid valves are designed for continuous operation within the maximum ambient temperature limits.

*) Other voltages on request.

CHOICE OF EQUIPMENT

Symbol / Function	Operators		Flow		Response time (ms)		Consumption W	Type of electrical connection (*)	CODES ¹⁾
	Pilot	Return	at 6 bar (l/min)	KV	ON	OFF			
3/2 	Solenoid air	Differential	100	1,43	9	25	1,3	1 2 3 4	518 01 002 518 01 150 518 01 151 518 01 152
					1	5	518 01 153		
5/2 	Solenoid air	Differential			9	25	1,3	1 2 3 4	518 01 004 518 01 154 518 01 155 518 01 156
					1	5	518 01 157		
	Solenoid air	Solenoid air			9	25	1,3	1 2 3 4	518 01 021 518 01 158 518 01 159 518 01 160
					1	5	518 01 161		
5/3 	Pressure held W1 Solenoid air operated				8	15	1,3	1 2 3 4	518 01 023 518 01 162 518 01 163 518 01 164
					1	5	518 01 165		
	Pressure released W3 Solenoid air operated				8	15	1,3	1 2 3 4	518 01 031 518 01 166 518 01 167 518 01 168
					1	5	518 01 169		

(*) Typ 1,2,3, 4 with LED and electrical protection
 1 = horizontal, width 5,08 mm
 2 = vertical, width 5,08 mm

3 = horizontal, width 2,54 mm
 4 = vertical, width 2,54 mm
 5 = Cable ends 0,5 m long, 0,25 mm²

1) The connectors must be ordered **separately** indicating the quantity and one of the following codes:



Connectors with 2 lead wires
 Pin spacing 5,08 mm - Length 0,5 m - Code: 881 18 801
 - Length 1,5 m - Code: 881 18 802
 - Length 3 m - Code: 881 18 803

Pin spacing 2,54 mm - Length 0,5 m - Code: 881 18 806
 - Length 1,5 m - Code: 881 18 807
 - Length 3 m - Code: 881 18 808

SUBBASES : see overleaf

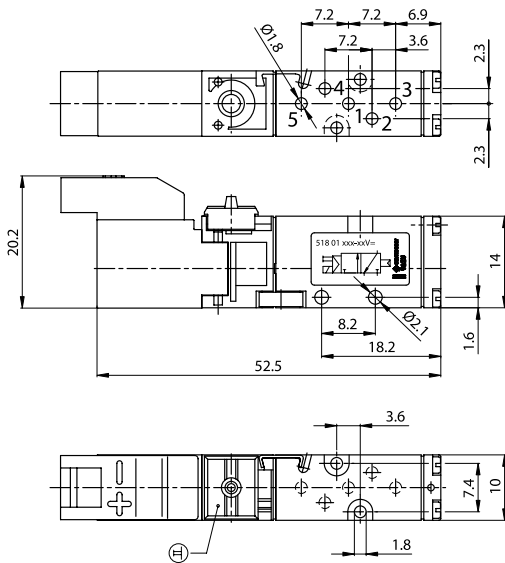
DIMENSIONS

MICRO SPOOL-VALVES 3/2 ; 5/2 **Codes 518 01 002, 518 01 004, 518 01 021**

Weights:

Spool-valve: 23 g

1 connector: 5 g

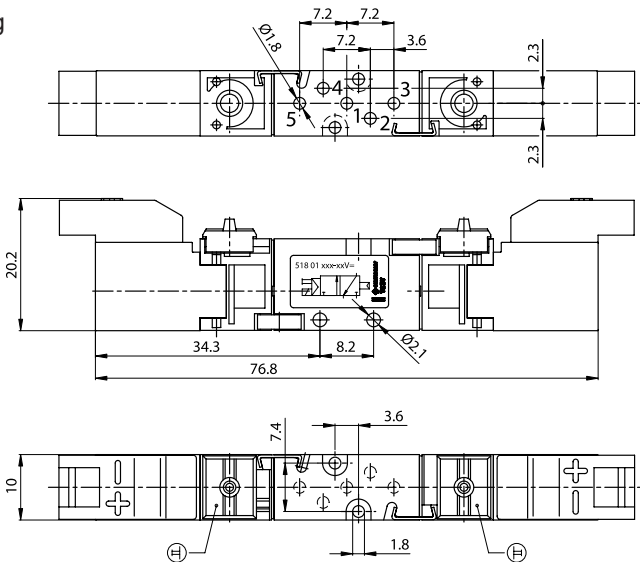


IMPULSE MICRO SPOOL-VALVE 5/2 **Code 518 01 023**

Weights:

Spool-valve: 37 g

2 connectors: 10 g

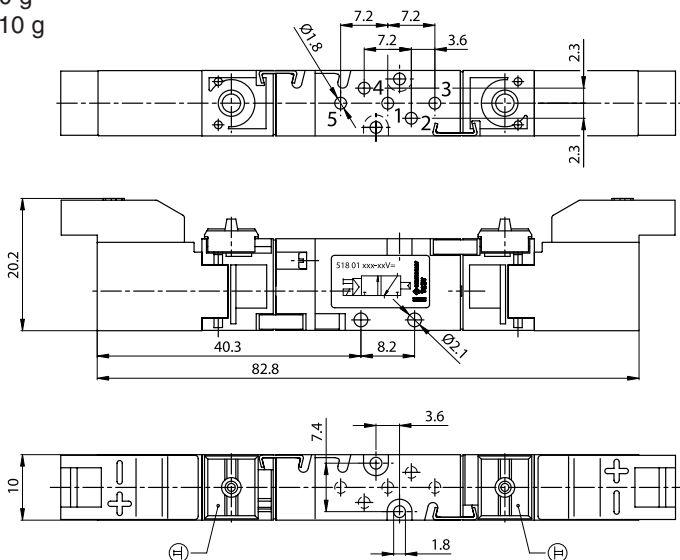


MICRO SPOOL-VALVES 5/3 **Codes 518 01 031, 518 01 033**

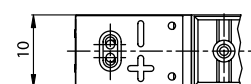
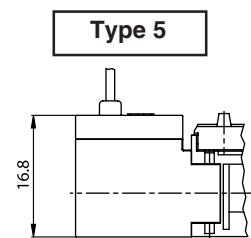
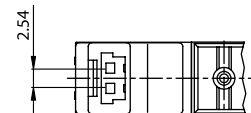
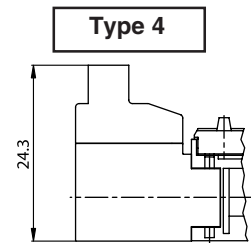
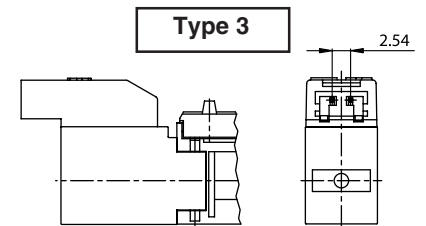
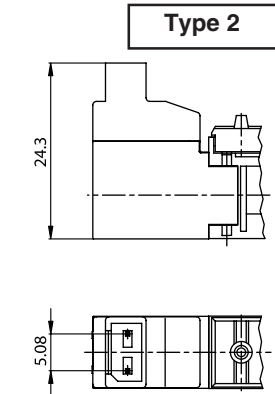
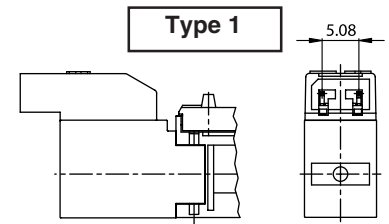
Weights:

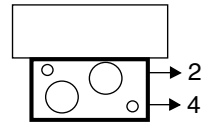
Spool-valve: 40 g

2 connectors: 10 g



ELECTRICAL CONNECTION





CONSTRUCTION

Utilization connector (2-4) : ØM5 (on sides)
Material : Light alloy

SUBBASES IDENTIFICATION

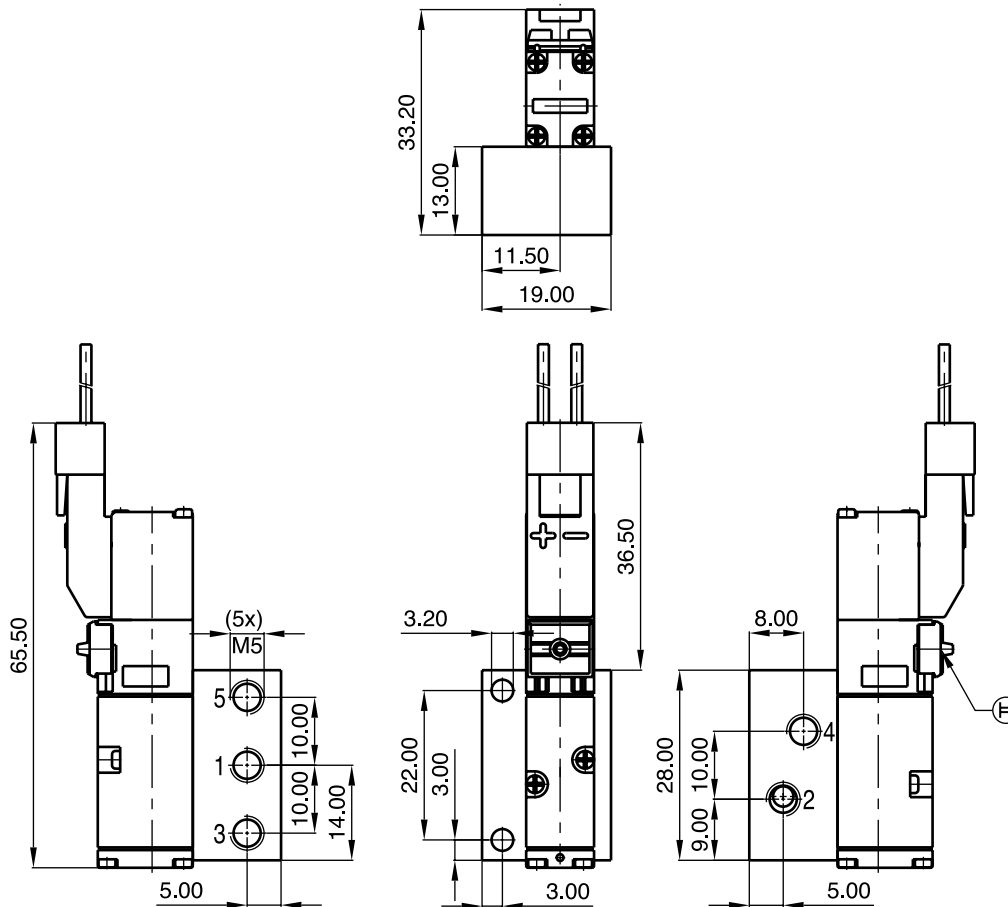
Subbase type	No. of spool valves	Subbases CODES	Subbases weights (in g)	Port connections				
				1	3	5	2-4	82-84
Single subbase	1	355 00 251	16	M5	M5	M5	M5	M3
Multiple subbases	2	355 00 252	92	G1/8	-	G1/8 (3-5)	M5	M5
	3	355 00 253	120					
	4	355 00 254	142					
	5	355 00 255	165					
	6	355 00 256	190					
	7	355 00 257	213					
	8	355 00 258	236					
	9	355 00 259	260					
	10	355 00 260	284					



82-84 : Pilot exhaust
Multiple subbases :
The 1-5-82-84 ports can be connected at both ends. Subbases are delivered with sealing plugs.

Blanking plate: **Code 881 35 533**

DIMENSIONS - 3/2 - 5/2 - 5/3 SPOOL-VALVES ON SIMPLE SUBBASE (CODE 355 00 251)



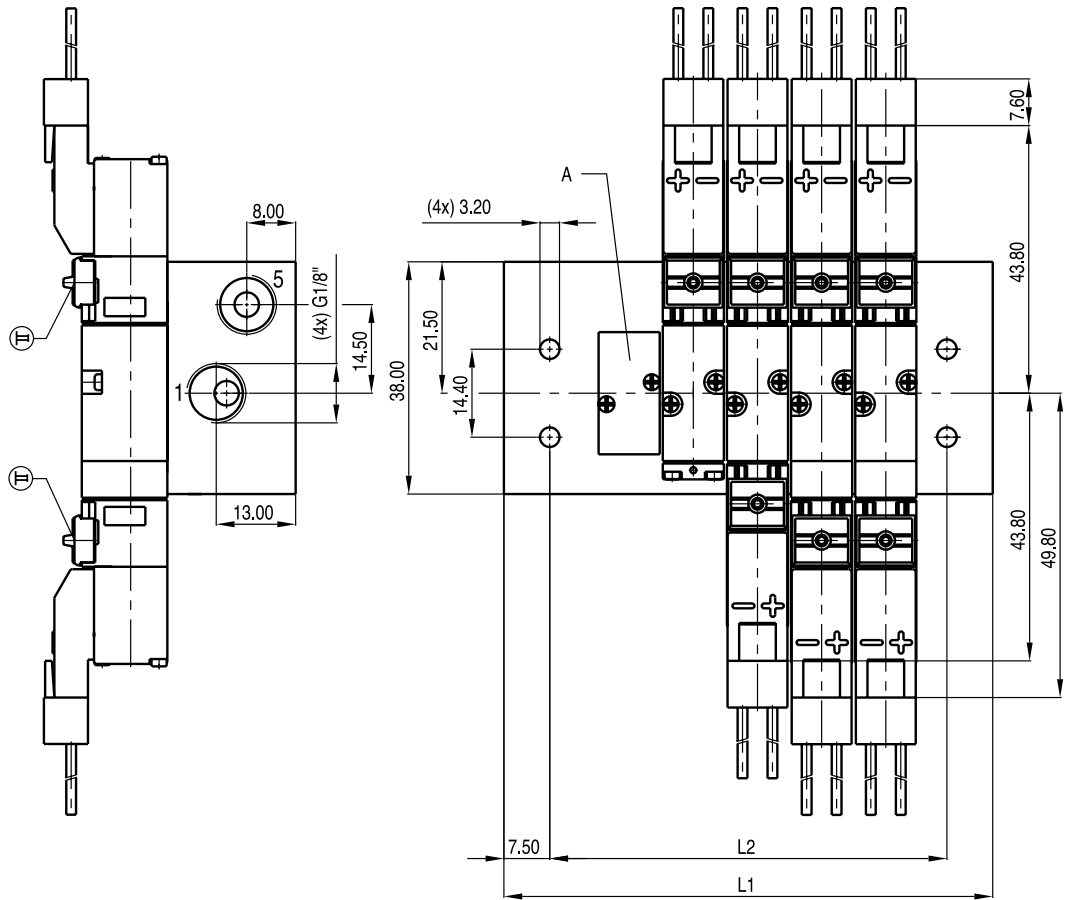
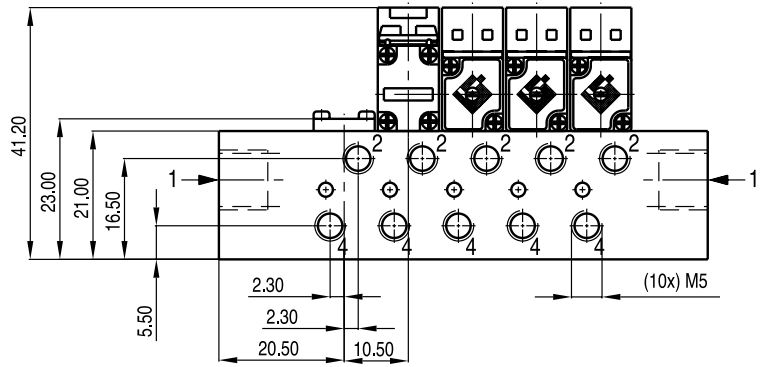
Series 355

DIMENSIONS - 3/2 - 5/2 - 5/3 SPOOL VALVES ON MULTIPLE SUBBASES

Solenoid operated micro spool valves subbase

CODES	No. of spool-valves	Length		Subbases weights (in g)
		L1	L2	
355 00 252	2	47,5	32,5	92
355 00 253	3	58	43	120
355 00 254	4	68,5	53,5	142
355 00 255	5	79	64	165
355 00 256	6	89,5	74,5	190
355 00 257	7	100	85	213
355 00 258	8	110,5	95,5	236
355 00 259	9	121	106	260
355 00 260	10	131,5	116,5	284

A: Blanking plate: **Code 881 35 533**



ASCO/JOUCOMATIC reserves the right to alter the availability, design and specifications without notice.