

(12) **United States Design Patent**
Chang

(10) **Patent No.:** **US D482,743 S**
 (45) **Date of Patent:** **** Nov. 25, 2003**

(54) **PAINTBALL GUN**
 (75) **Inventor:** **Yong Ling Chang, Chia-Yi Hsien (TW)**
 (73) **Assignee:** **Kingman International Corporation,**
 Baldwin Park, CA (US)
 (**) **Term:** **14 Years**

6,349,711 B1 * 2/2002 Perry et al. 124/73
 6,474,326 B1 * 11/2002 Smith et al. 124/77
 6,520,171 B2 * 2/2003 Reible 124/73
 6,520,172 B2 * 2/2003 Perrone 124/74

(21) **Appl. No.:** **29/175,198**
 (22) **Filed:** **Jan. 30, 2003**

OTHER PUBLICATIONS

Hong Kong Toys, p. 265, Feb. 1997.*

* cited by examiner

Primary Examiner—Raphael Barkai
 (74) *Attorney, Agent, or Firm*—Blakely, Sokoloff, Taylor & Zafman LLP

(51) **LOC (7) Cl.** **21-01**
 (52) **U.S. Cl.** **D21/573; D21/570; D21/572**
 (58) **Field of Search** **D21/567-575;**
 D22/104, 108-109, 103, 107, 225, 224,
 222; 446/180, 219, 267, 430, 473, 475;
 124/5, 25, 56, 51.1, 71, 72-74, 77, 83;
 42/54-55, 71.02; 222/78-79; 273/310-311;
 362/110-114

(57) **CLAIM**

The ornamental design for a paintball gun, as shown and described.

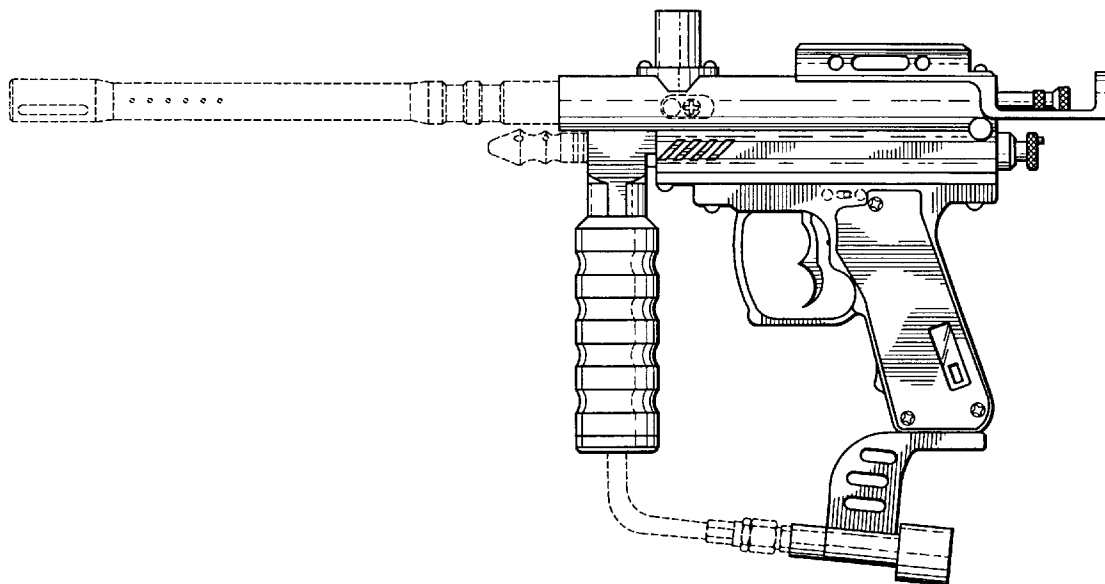
DESCRIPTION

FIG. 1 is a right side view of a paintball gun of the invention. FIG. 2 is a left side view of the paintball gun of FIG. 1. FIG. 3 is a rear view of the paintball gun of FIG. 1. FIG. 4 is a front view of the paintball gun of FIG. 1. FIG. 5 is a bottom view of the paintball gun of FIG. 1; and, FIG. 6 is a top view of the paintball gun of FIG. 1. The broken lines in the figures are for environmental purpose only and form no part of the claimed design.

(56) **References Cited**
U.S. PATENT DOCUMENTS

D359,529 S * 6/1995 Nguyen D21/572
 5,503,137 A * 4/1996 Fusco 124/56
 5,950,611 A * 9/1999 Lopez et al. 124/72
 5,954,042 A * 9/1999 Harvey 124/51.1
 D451,977 S * 12/2001 Urbano D22/108

1 Claim, 4 Drawing Sheets



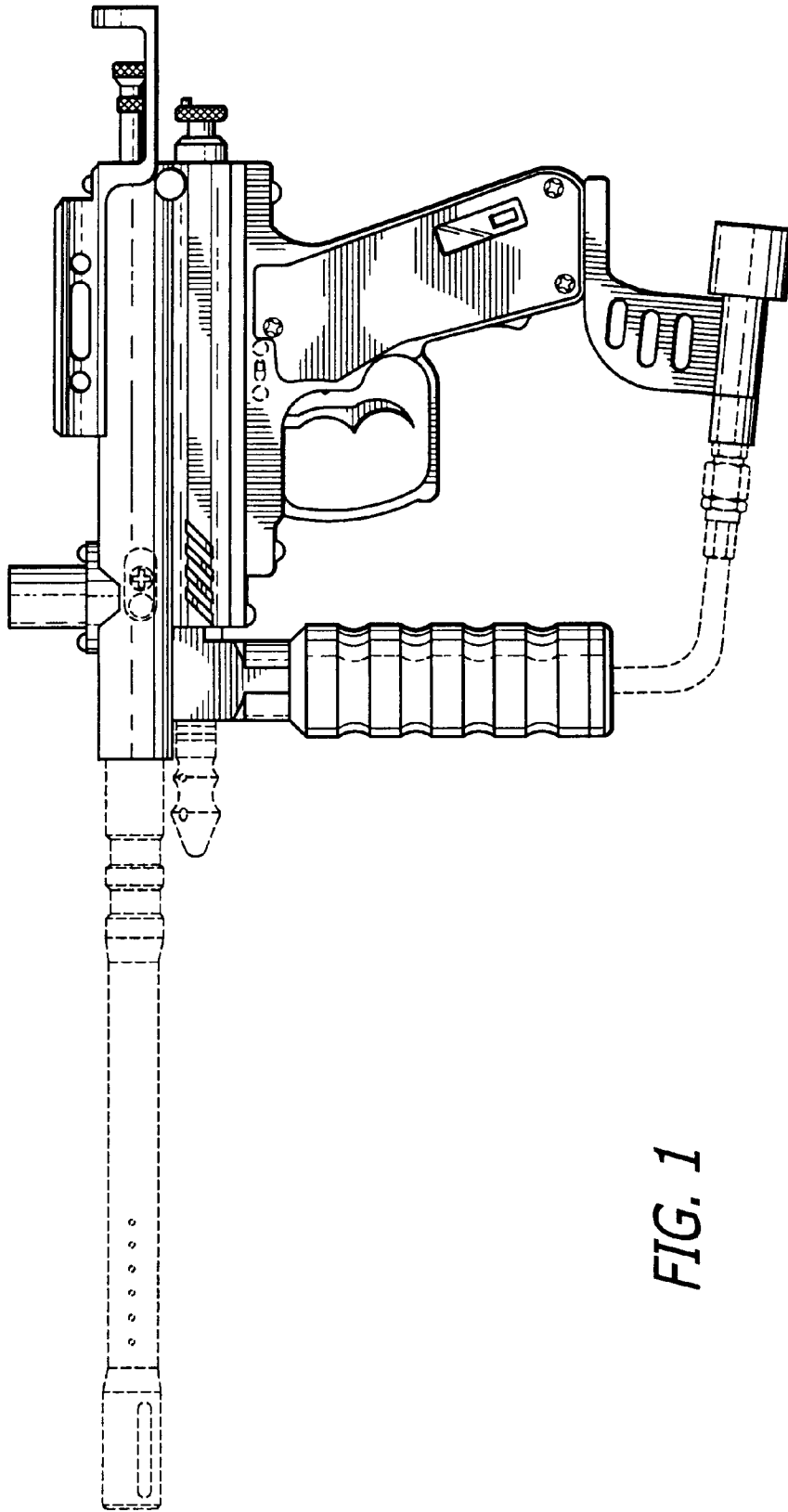


FIG. 1

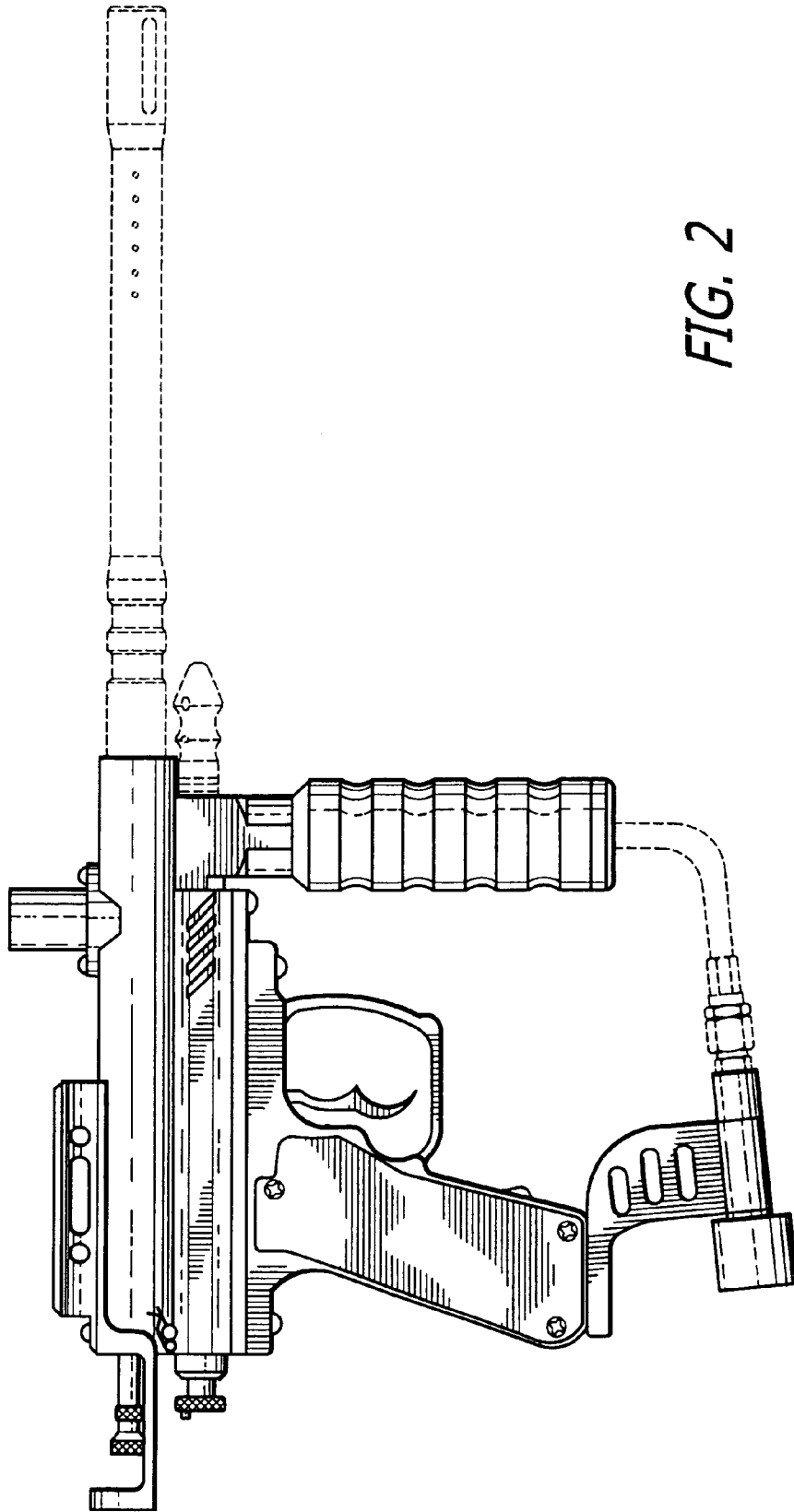


FIG. 2

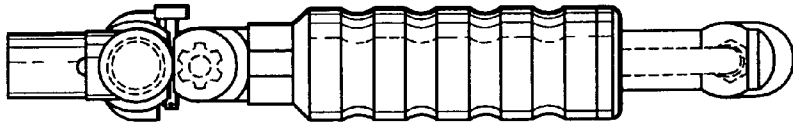


FIG. 4

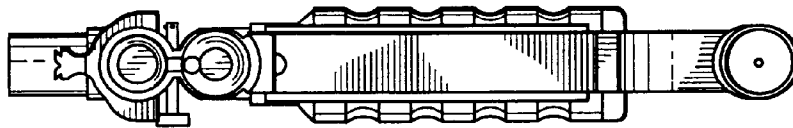


FIG. 3

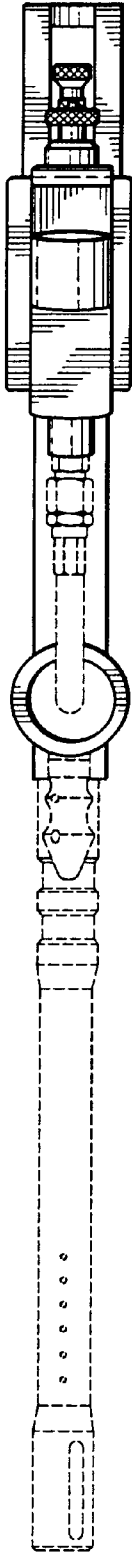


FIG. 5

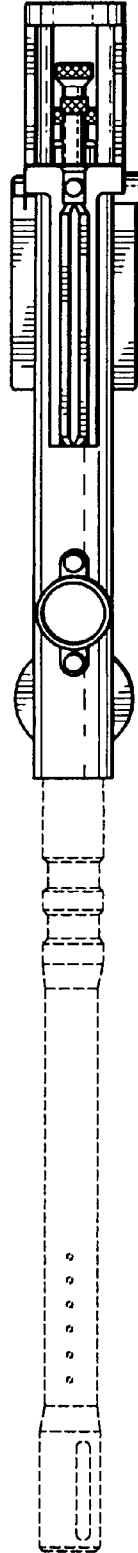


FIG. 6