

(12) **United States Design Patent**  
**Chang**

(10) **Patent No.:** **US D482,082 S**  
 (45) **Date of Patent:** **\*\* Nov. 11, 2003**

(54) **PAINTBALL GUN**  
 (75) Inventor: **Yong Ling Chang, Chia-Yi Hsien (TW)**  
 (73) Assignee: **Raven USA, LLC, Baldwin Park, CA (US)**  
 (\*\*) Term: **14 Years**

6,474,326 B1 \* 11/2002 Smith et al. .... 124/77  
 6,520,171 B2 \* 2/2003 Reible ..... 124/73  
 6,520,172 B2 \* 2/2003 Perrone ..... 124/74

(21) Appl. No.: **29/177,625**  
 (22) Filed: **Mar. 12, 2003**

**OTHER PUBLICATIONS**

Hong Kong Toys, p. 265, Feb. 1997.\*

\* cited by examiner

*Primary Examiner*—Raphael Barkai  
 (74) *Attorney, Agent, or Firm*—Blakely, Sokoloff, Taylor & Zafman LLP

(51) **LOC (7) Cl.** ..... **21-01**  
 (52) **U.S. Cl.** ..... **D21/573; D21/570; D21/572**  
 (58) **Field of Search** ..... **D21/567-575; D22/103-104, 107-109, 222, 224-225; 446/180, 219, 267, 430, 473, 475; 124/5, 25, 56, 51.1, 71, 72-74, 77, 83; 42/54-55, 71.02; 222/78-79; 273/310-311; 362/110-114**

(57) **CLAIM**

The ornamental design for a paintball gun, as shown and described.

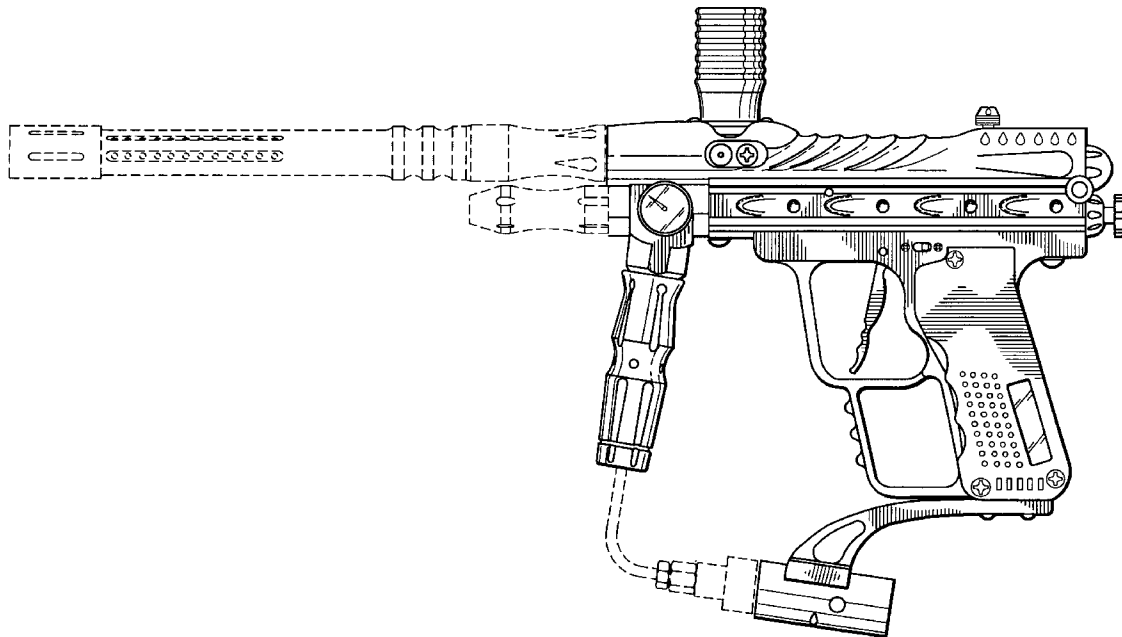
**DESCRIPTION**

FIG. 1 is a left side view of a paintball gun of the invention. FIG. 2 is a right side view of the paintball gun of FIG. 1. FIG. 3 is a front view of the paintball gun of FIG. 1. FIG. 4 is a rear view of the paintball gun of FIG. 1. FIG. 5 is a top view of the paintball gun of FIG. 1; and, FIG. 6 is a bottom view of the paintball gun of FIG. 1. The broken lines in the figures are for environmental purpose only and form no part of the claimed design.

(56) **References Cited**  
**U.S. PATENT DOCUMENTS**

D359,529 S	*	6/1995	Nguyen	.....	D21/572
5,503,137 A	*	4/1996	Fusco	.....	124/56
5,950,611 A	*	9/1999	Lopez et al.	.....	124/72
5,954,042 A	*	9/1999	Harvey	.....	124/51.1
D451,977 S	*	12/2001	Urbano	.....	D22/108
6,349,711 B1	*	2/2002	Perry et al.	.....	124/73

**1 Claim, 4 Drawing Sheets**



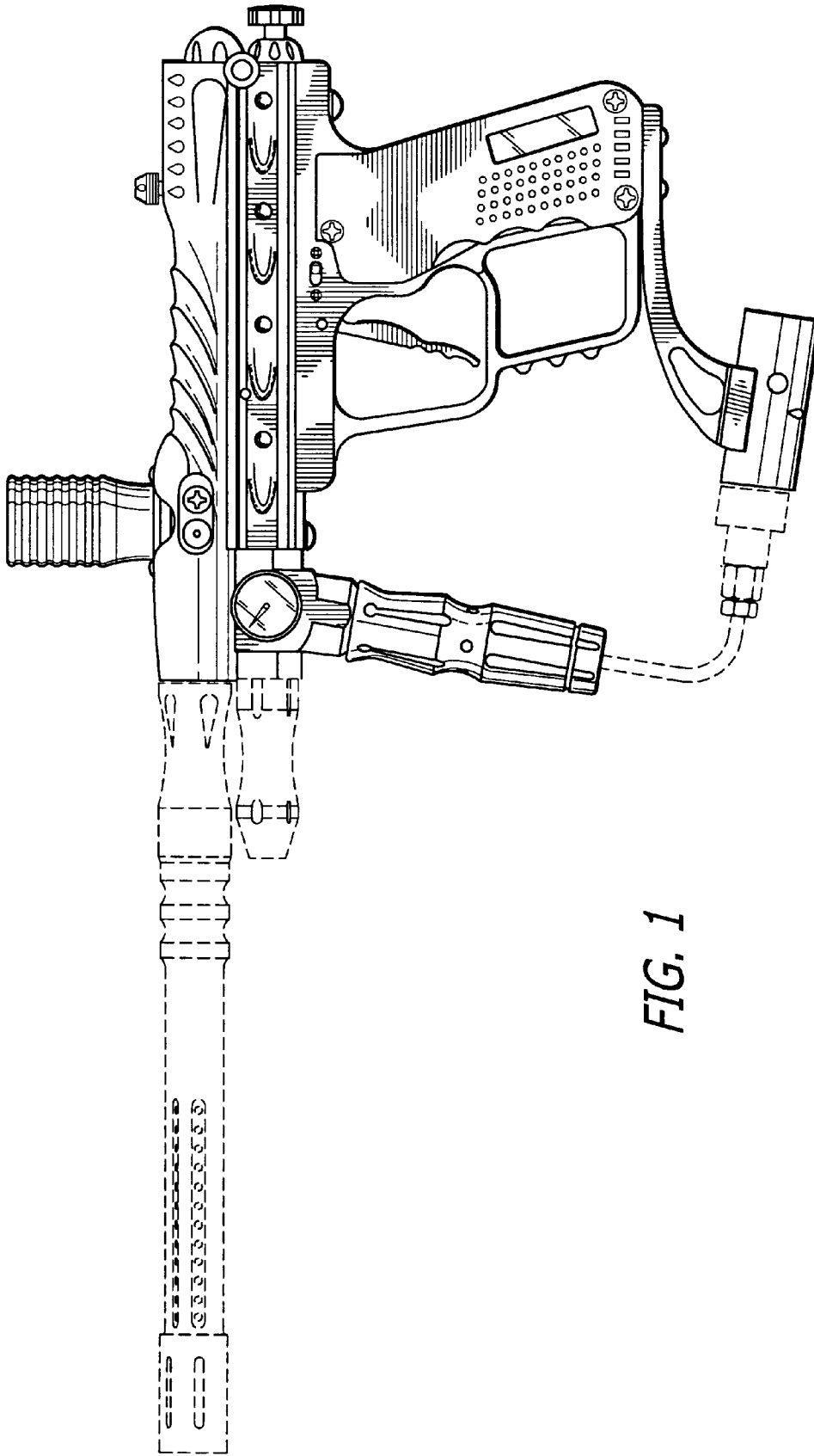


FIG. 1

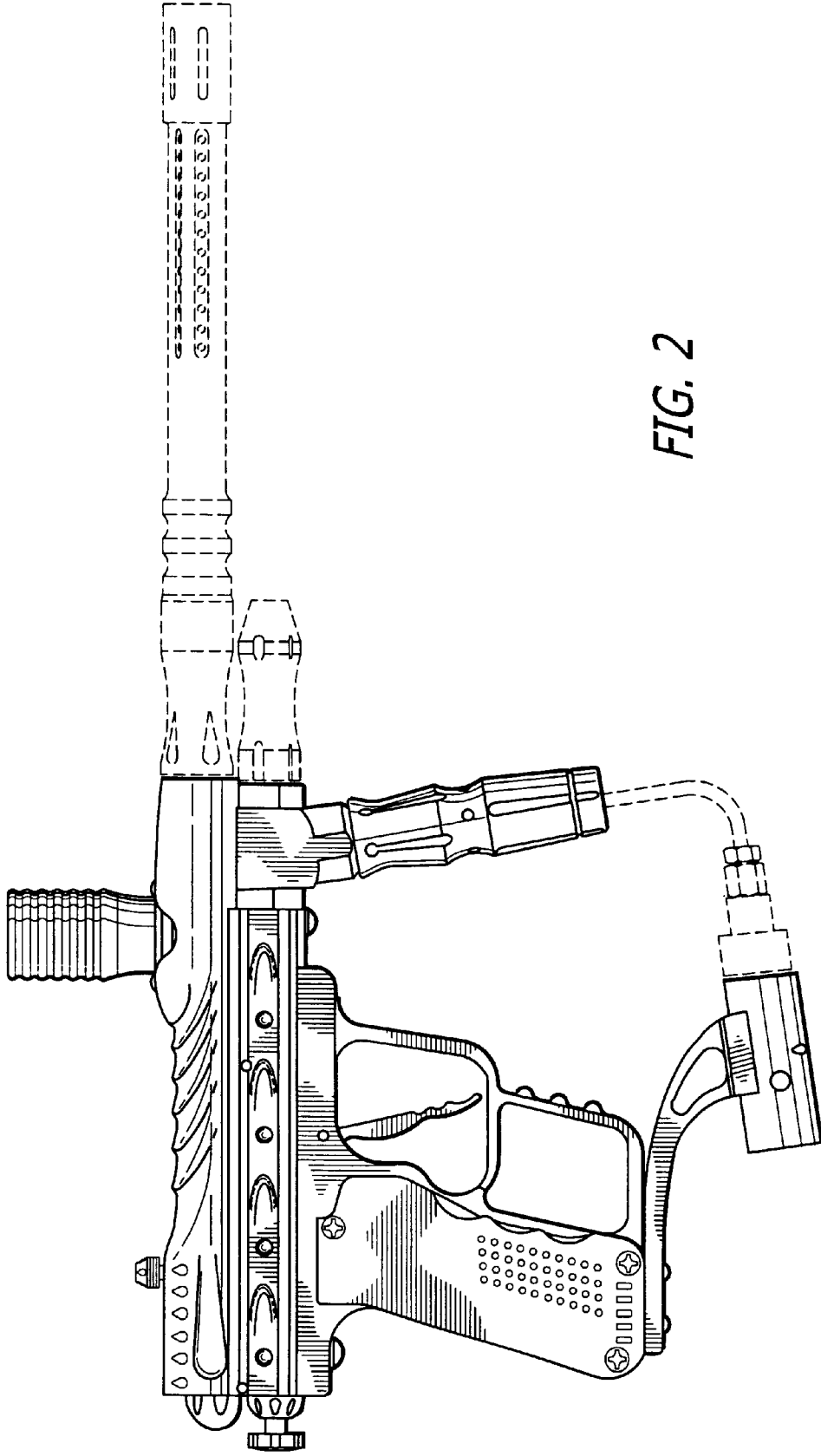


FIG. 2

FIG. 4

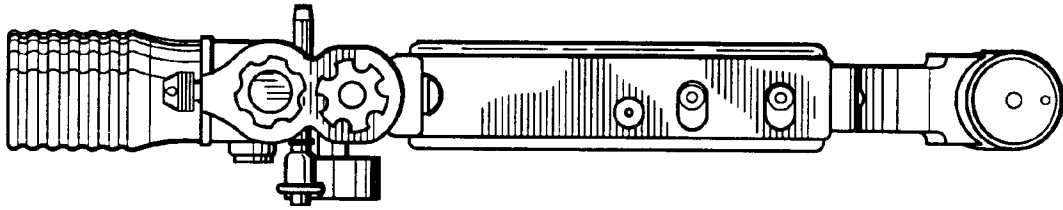
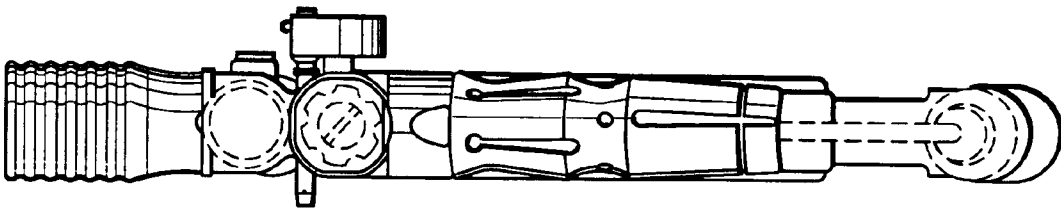


FIG. 3



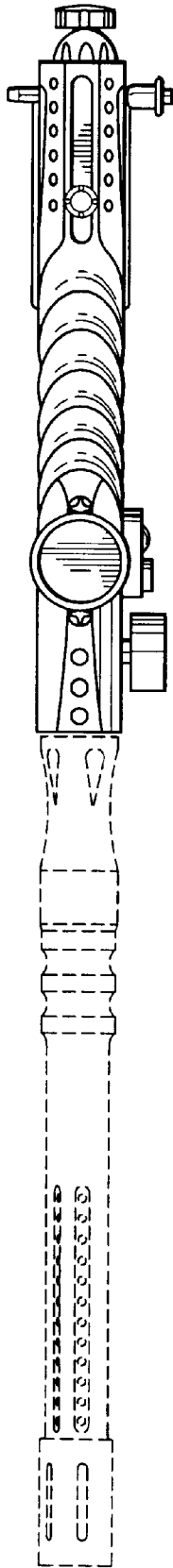


FIG. 5

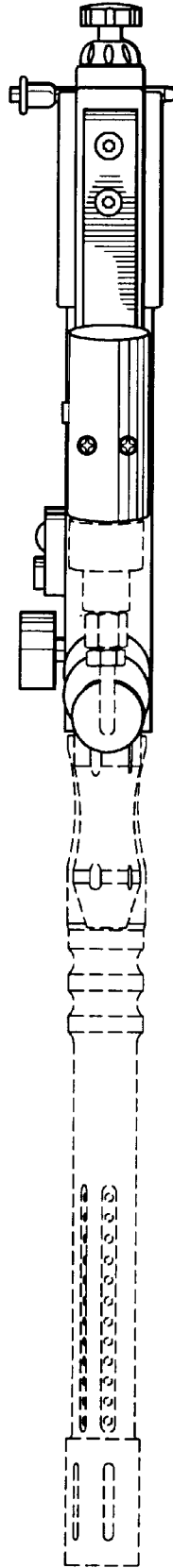


FIG. 6