

(12) **United States Design Patent**
Dehaan

(10) **Patent No.:** **US D471,948 S**
(45) **Date of Patent:** **** Mar. 18, 2003**

- (54) **PAINTBALL GUN REGULATOR**
- (75) Inventor: **David J. Dehaan**, San Diego, CA (US)
- (73) Assignee: **Dye Precision, Inc.**, San Diego, CA (US)
- (**) Term: **14 Years**
- (21) Appl. No.: **29/158,311**
- (22) Filed: **Apr. 2, 2002**
- (51) **LOC (7) Cl.** **23-01**
- (52) **U.S. Cl.** **D22/108**
- (58) **Field of Search** D22/100, 108, D22/199; D21/573, 574, 575; 124/73, 74, 75, 76; 137/68.23, 234.5

- 5,957,119 A * 9/1999 Perry et al. 137/234.5 X
- 6,024,077 A * 2/2000 Kotsiopoulos 124/73 X
- 6,286,497 B1 * 9/2001 Kevkov 124/73
- 6,405,722 B2 * 6/2002 Colby 124/73

* cited by examiner

Primary Examiner—Louis S. Zarfaz
Assistant Examiner—Monica A. Weingart
(74) *Attorney, Agent, or Firm*—Harris F. Brotman; Procopio, Cory, Hargreaves & Savitch

(57) **CLAIM**

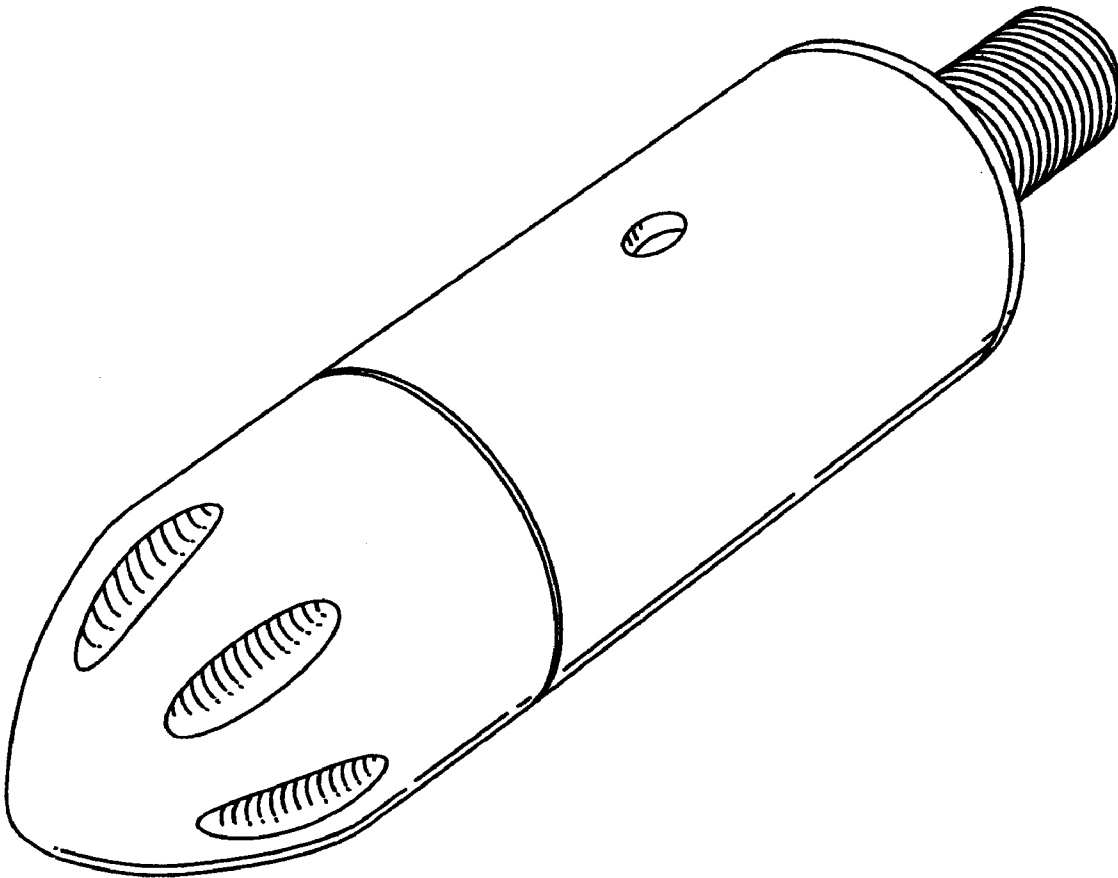
The ornamental design for a paintball gun regulator, as shown and described.

DESCRIPTION

FIG. 1 is a front, top left side perspective view of a paintball gun regulator housing showing my new design; and, FIG. 2 is a back, bottom right side perspective view thereof.

- (56) **References Cited**
U.S. PATENT DOCUMENTS
5,755,213 A * 5/1998 Gardner, Jr. et al. .. 137/234.5 X

1 Claim, 1 Drawing Sheet



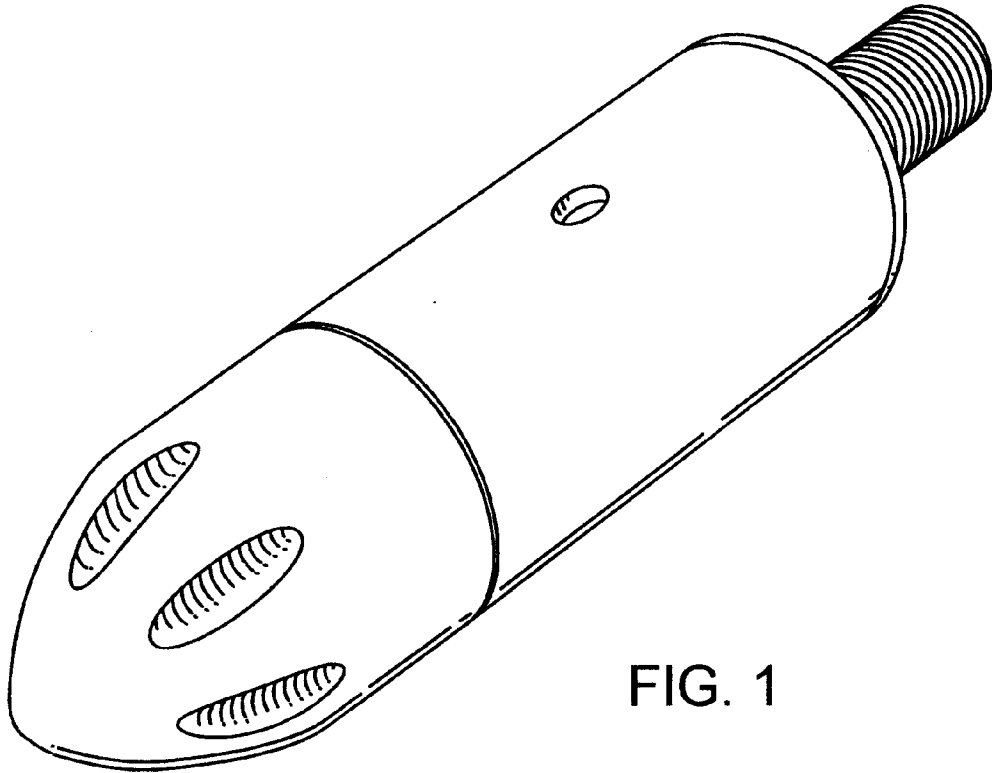


FIG. 1

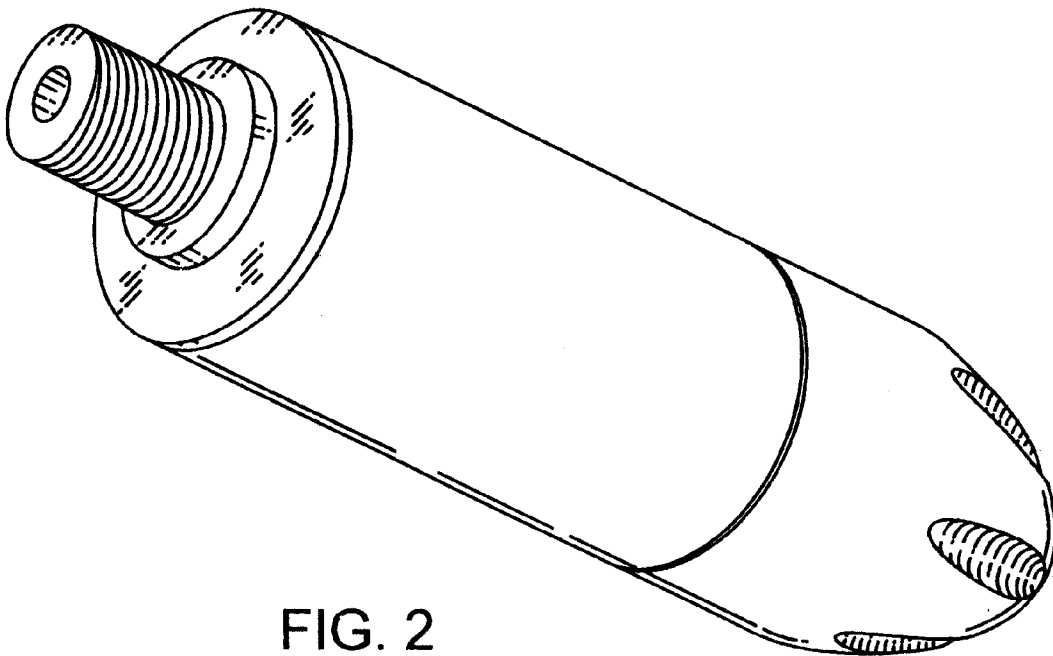


FIG. 2