

[54] **GRAVITY LOAD MAGAZINE FOR PAINT PELLET PISTOL**  
[76] **Inventor: Paul N. Kuljis, 3604 S. Cabrillo Ave., San Pedro, Calif. 90731**  
[\*\*] **Term: 14 Years**  
[21] **Appl. No.: 134,912**  
[22] **Filed: Dec. 18, 1987**  
[52] **U.S. Cl. .... D21/145; D22/108**  
[58] **Field of Search .... D8/29, 30; D21/145, D21/147; D22/100, 103, 104, 108; 446/273; 124/47-49**

[56] **References Cited**  
**U.S. PATENT DOCUMENTS**  
D. 191,776 11/1961 Popper ..... D21/147  
4,241,716 12/1980 Tsui ..... 124/49

4,659,320 4/1987 Rich et al. .... 124/47

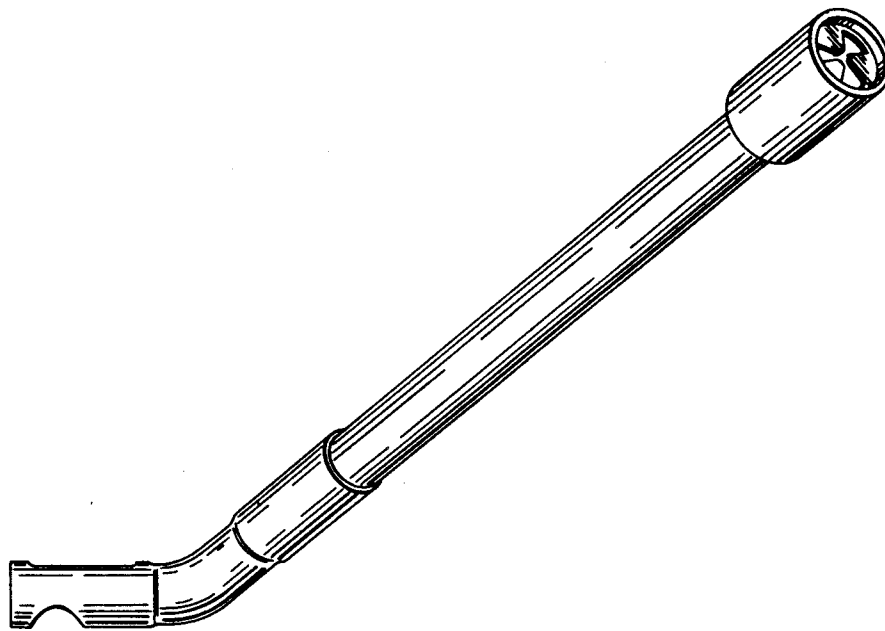
*Primary Examiner*—B. J. Bullock  
*Assistant Examiner*—Sandra Morris  
*Attorney, Agent, or Firm*—Fulwider, Patton, Reiber, Lee, & Utecht

[57] **CLAIM**

The ornamental design for a gravity load magazine for paint pellet pistol, as shown and described.

**DESCRIPTION**

FIG. 1 is a right side view of a gravity load magazine for paint pellet pistol, showing my new design;  
FIG. 2 is a left side view thereof;  
FIG. 3 is a front view thereof;  
FIG. 4 is a rear view thereof;  
FIG. 5 is a top view thereof;  
FIG. 6 is a bottom view thereof.



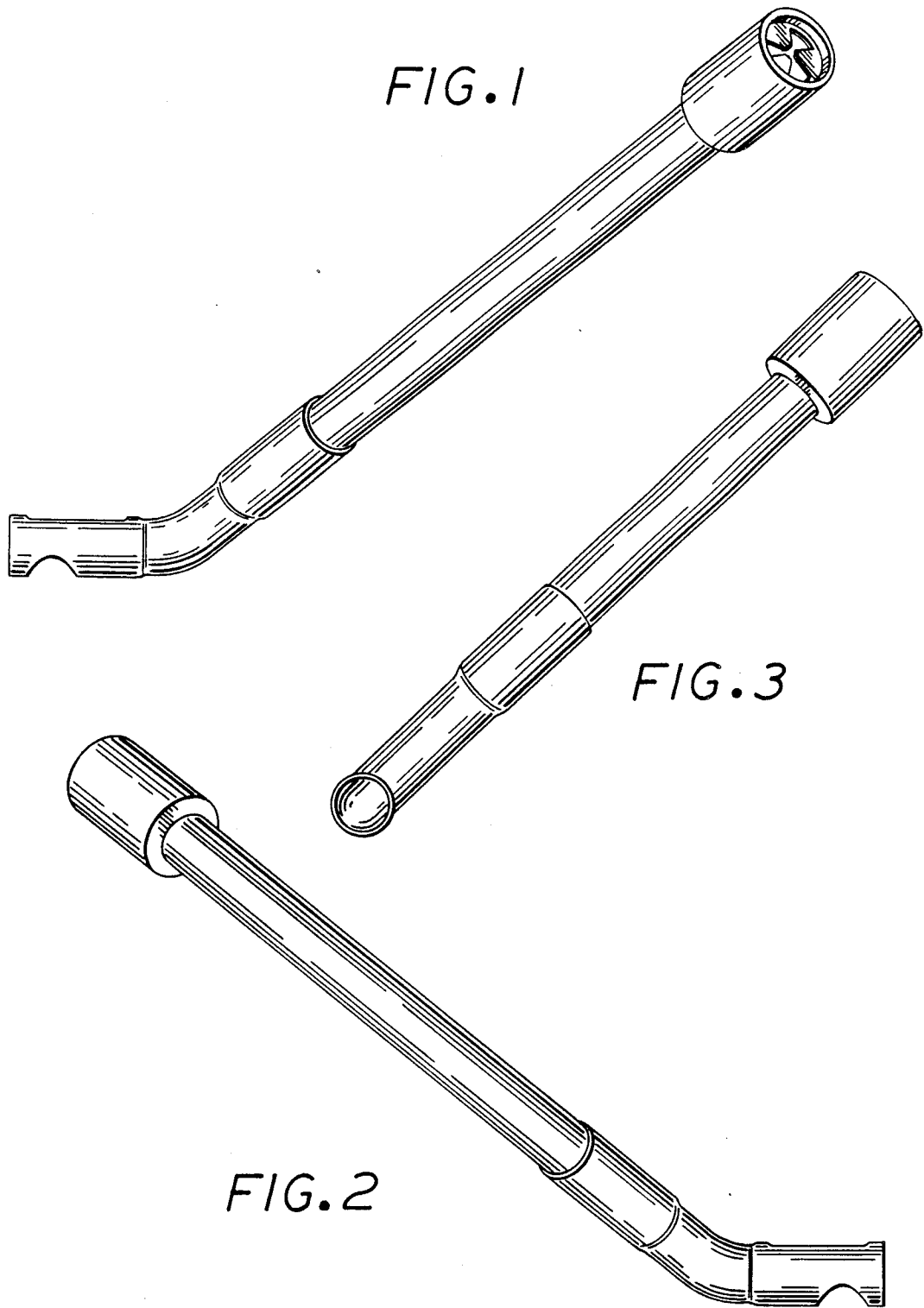


FIG. 1

FIG. 3

FIG. 2

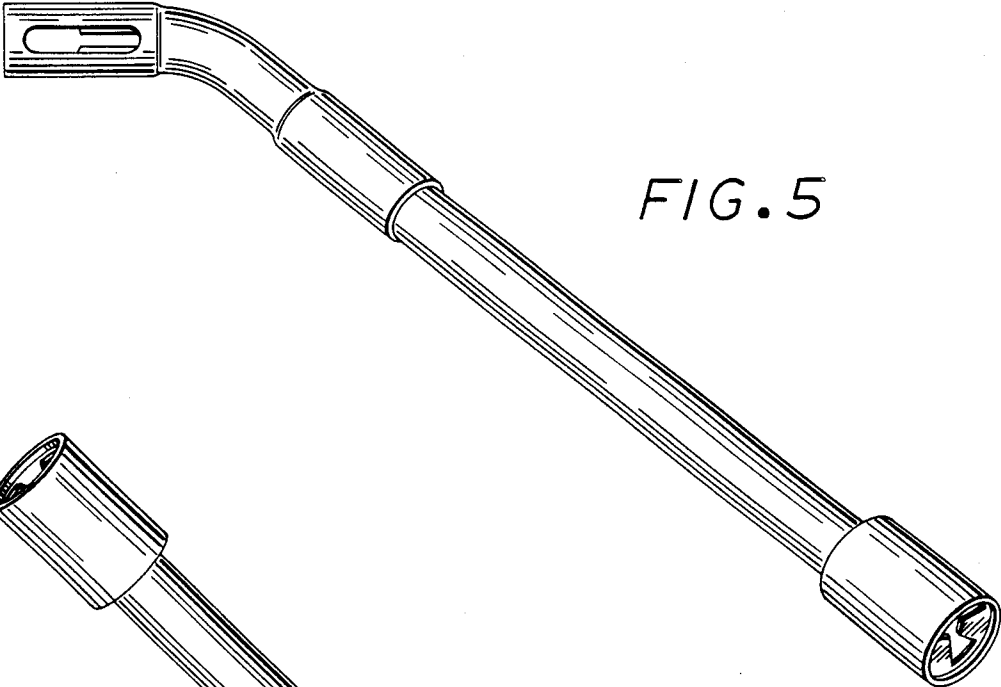


FIG. 5

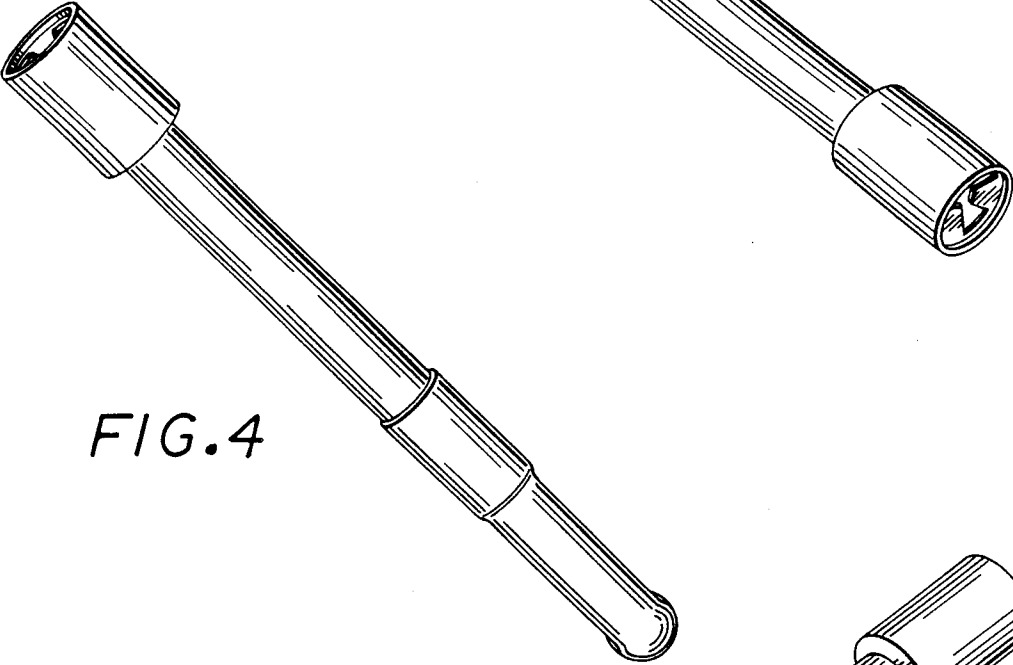


FIG. 4

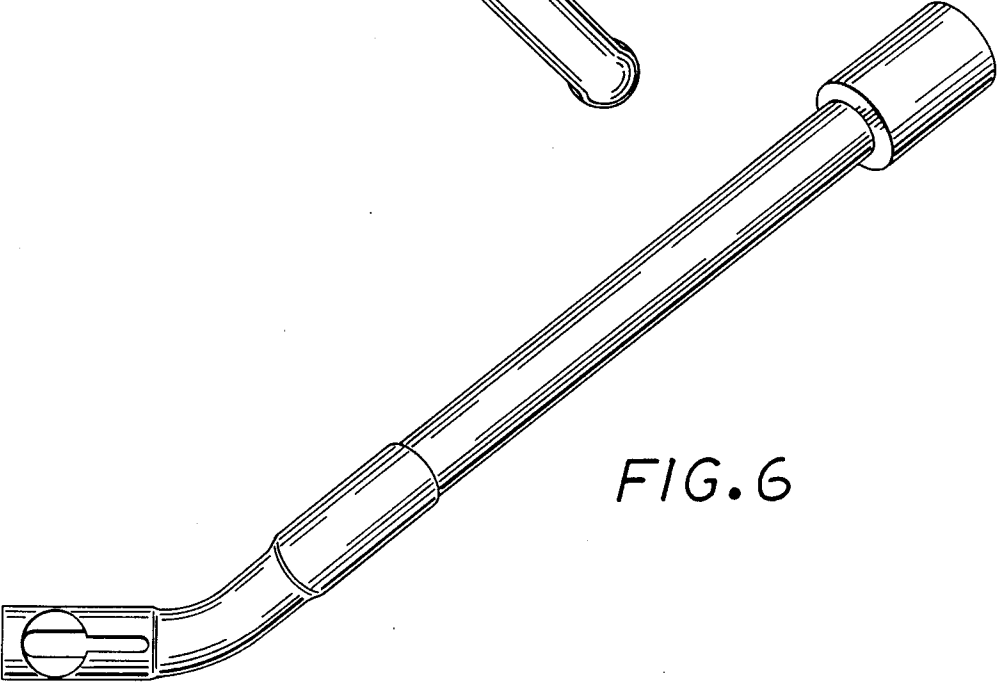


FIG. 6