



US00D366283S

United States Patent [19]

[11] Patent Number: Des. 366,283

Fernandes

[45] Date of Patent: **Jan. 16, 1996

[54] PAINTBALL MINE

Primary Examiner—Prabhakar G. Deshmukh
Attorney, Agent, or Firm—Harold H. Dutton, Jr.

[76] Inventor: Brett A. Fernandes, 266 S. Jefferson St., Montpelier, Ind. 47359

[57] CLAIM

[**] Term: 14 Years

The ornamental design for a paintball mine, as shown and described.

[21] Appl. No.: 31,639

DESCRIPTION

[22] Filed: Dec. 1, 1994

[52] U.S. Cl. D21/2

[58] Field of Search D21/1, 2, 3, 5,
D21/38; 273/58 H, 348; 124/31, 41.1, 21,
35.1, 37, 20.1, 49

FIG. 1 is a perspective view of a paintball mine showing my new design;

FIG. 2 is a perspective view thereof with the cover open;

FIG. 3 is a right end view thereof;

FIG. 4 is a left end view thereof;

FIG. 5 is a right end view thereof with the cover open;

FIG. 6 is a left end view thereof with the cover open;

FIG. 7 is a front plan view thereof with the cover open;

FIG. 8 is a rear plan view thereof with the cover open;

FIG. 9 is a front plan view thereof with the cover closed;

FIG. 10 is a rear plan view thereof with the cover closed; and,

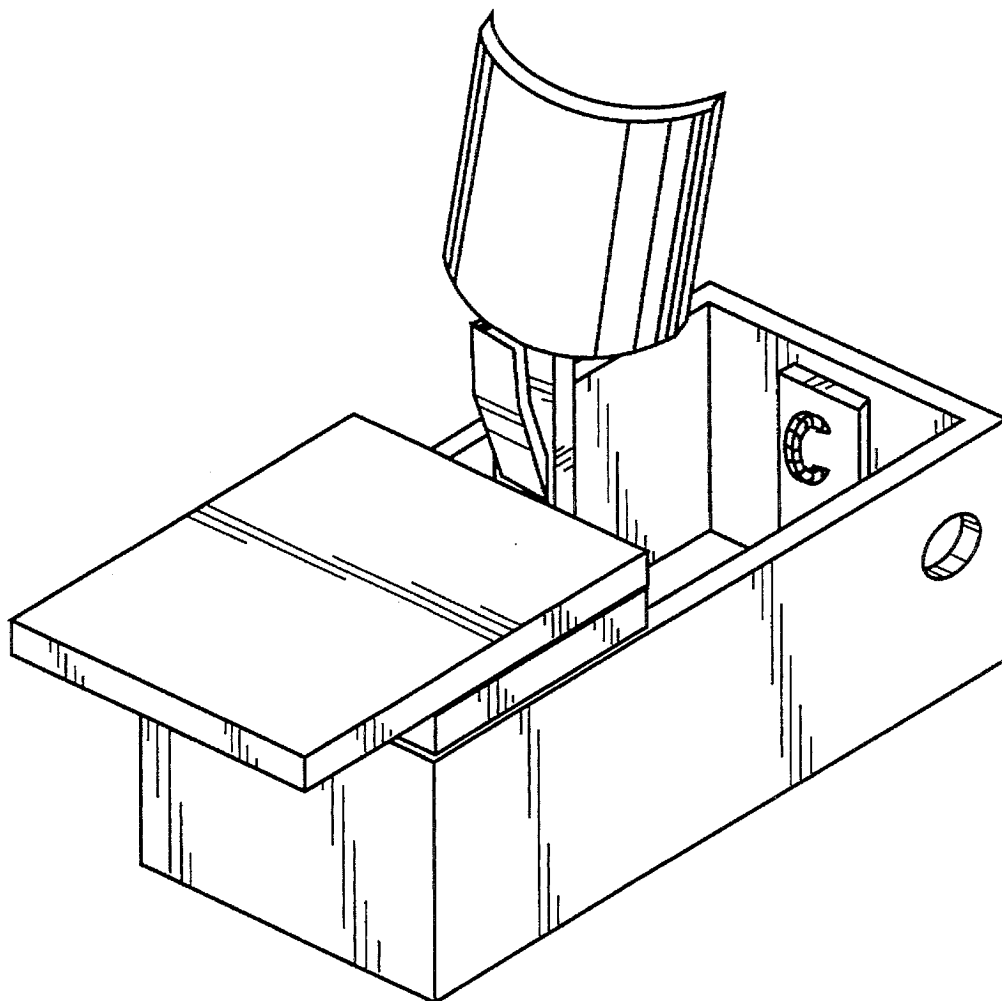
FIG. 11 is a bottom plan view thereof.

[56] References Cited

U.S. PATENT DOCUMENTS

D. 288,215	2/1987	Tami	D21/2
D. 346,183	4/1994	Crane	D21/2
2,153,315	4/1939	Richter	124/31 X
4,271,813	6/1981	Rowe	124/41.1 X
4,471,746	9/1984	Ando	124/41.1 X
5,254,379	10/1993	Kotsiopoulos et al.	273/58 H X

1 Claim, 4 Drawing Sheets



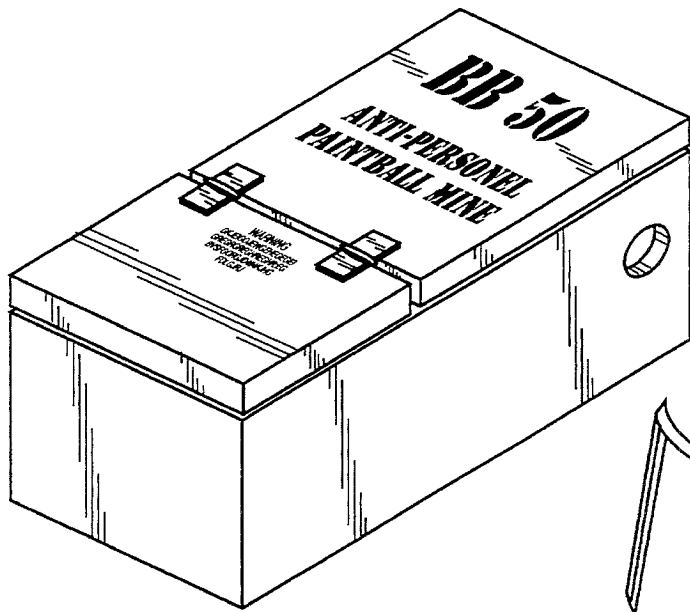


FIG. 1

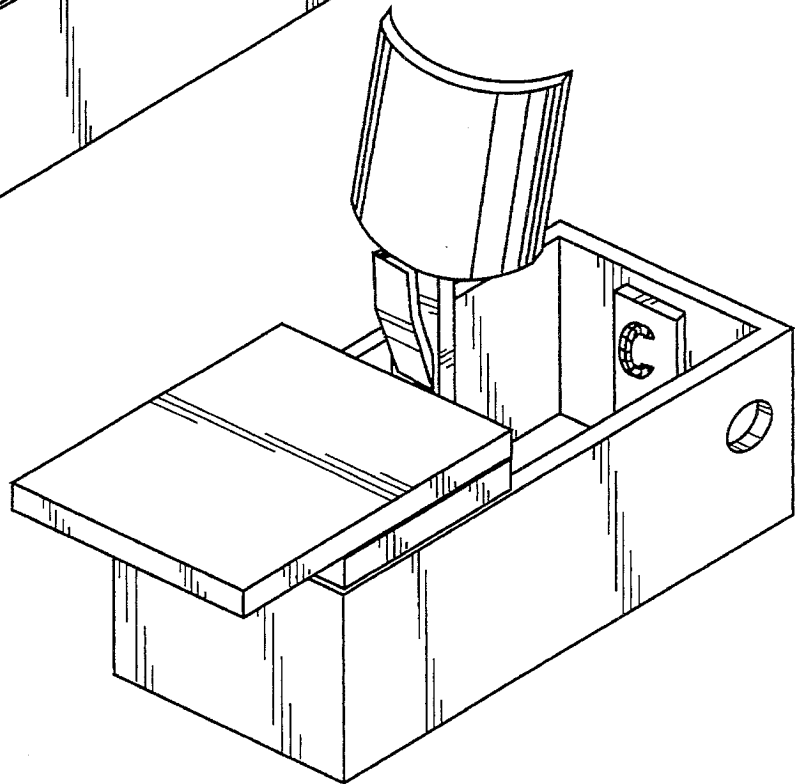


FIG. 2

FIG. 3

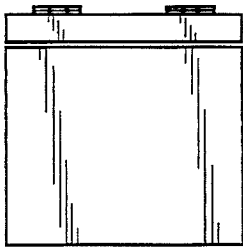


FIG. 4

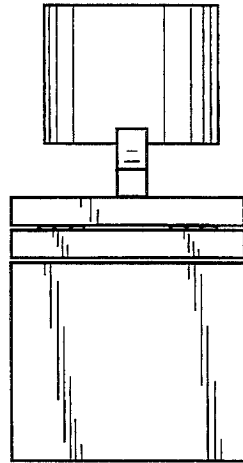
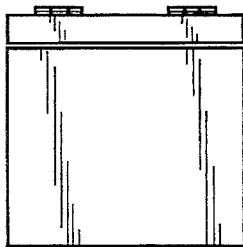
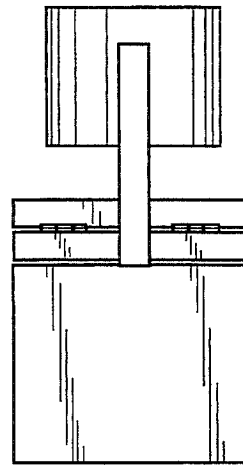


FIG. 5

FIG. 6



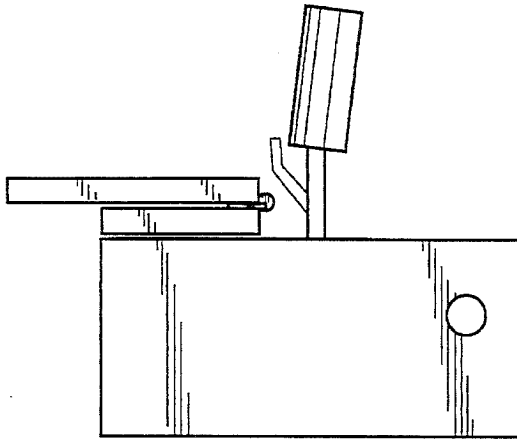


FIG. 7

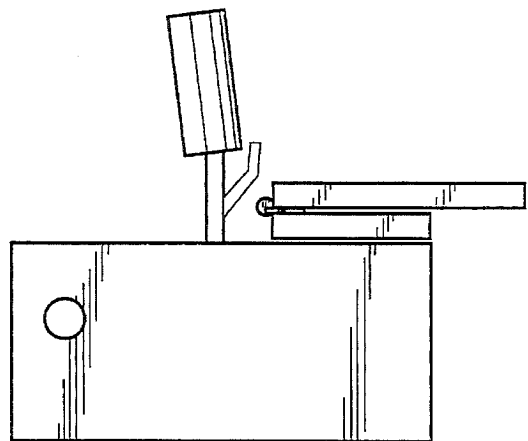


FIG. 8

FIG. 9

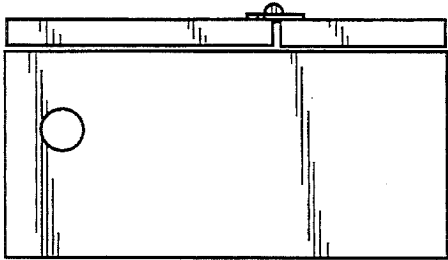
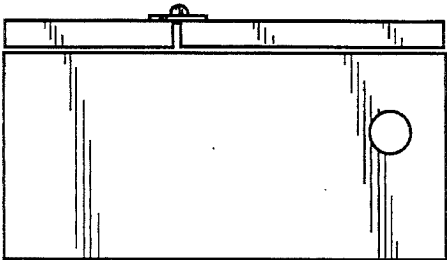


FIG. 10

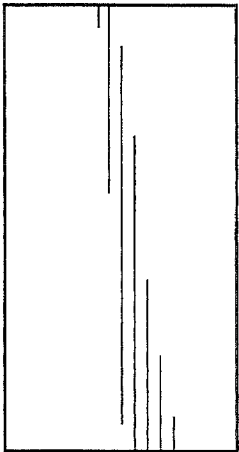


FIG. 11