



US00D359529S

United States Patent [19]
Nguyen

[11] **Patent Number: Des. 359,529**
[45] **Date of Patent: ** Jun. 20, 1995**

- [54] **PAINBALL GUN**
- [75] **Inventor: Thang Nguyen, Fort Wayne, Ind.**
- [73] **Assignee: Equico, Inc., Fort Wayne, Ind.**
- [**] **Term: 14 Years**
- [21] **Appl. No.: 9,089**
- [22] **Filed: Jun. 3, 1993**
- [52] **U.S. Cl. D21/147; D21/145; D22/103**
- [58] **Field of Search D21/147, 145, 146; 124/72, 48, 66, 75, 26, 27, 76, 50, 74, 67; 222/79, 401; 42/54, 10, 11, 90; 89/161, 142, 33.02; 446/473; 273/349**

- [56] **References Cited**
- U.S. PATENT DOCUMENTS**
- | | | | |
|------------|--------|---------------------|---------|
| D. 303,418 | 9/1989 | Miller et al. | D22/103 |
| D. 337,627 | 7/1993 | Moran | D21/147 |
| 4,531,503 | 7/1985 | Shepherd | 124/76 |
| 4,665,885 | 5/1987 | Glomski et al. | 124/27 |
| 4,819,609 | 4/1989 | Tippmann | 124/72 |
| 4,936,282 | 6/1990 | Dobbins | 124/74 |
| 5,150,819 | 9/1992 | Johnson et al. | 446/473 |
| 5,198,600 | 3/1993 | E'Nama | 42/90 |
| 5,241,944 | 9/1993 | Rappaport | 124/67 |

FOREIGN PATENT DOCUMENTS

1252926 12/1960 France .
2244121 11/1991 United Kingdom .

OTHER PUBLICATIONS

Action Pursuit Games Magazine, Feb. 1993, p. 45 King Cobra, Nightmare Short Model 68, Nightmare Comp Short Barrel.

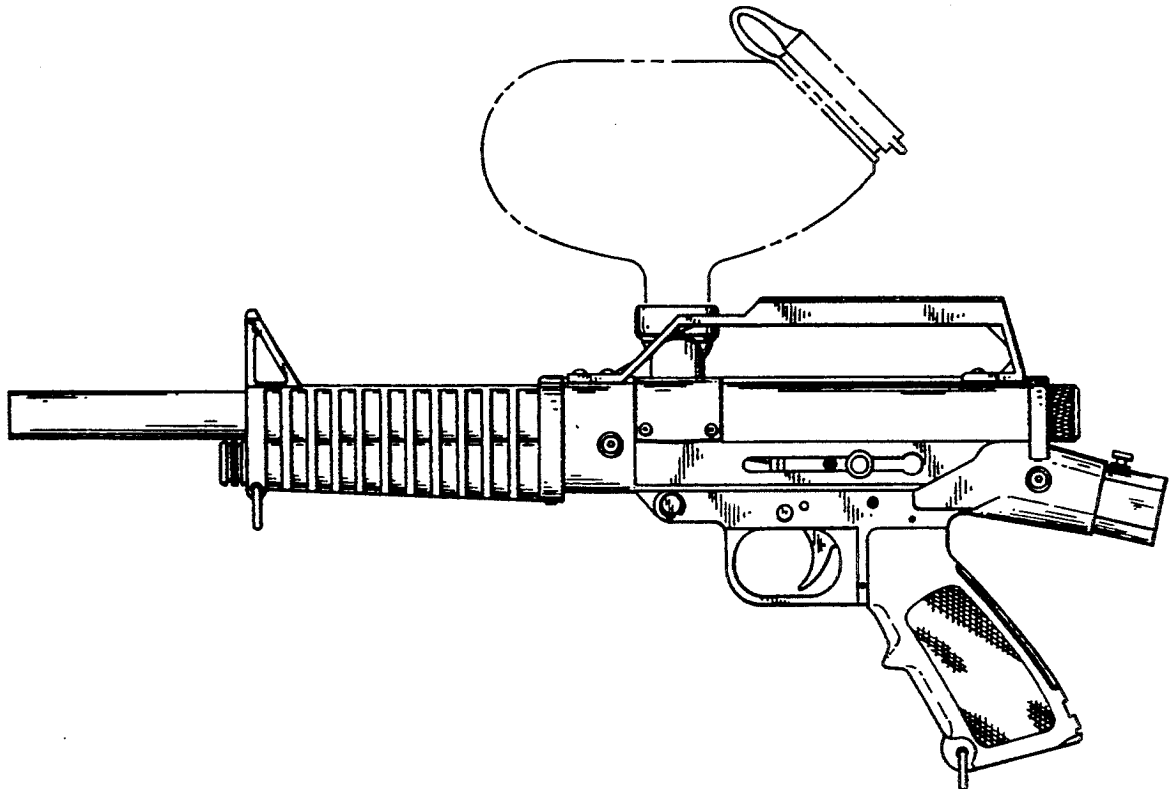
Primary Examiner—Doris V. Coles
Attorney, Agent, or Firm—Baker & Daniels

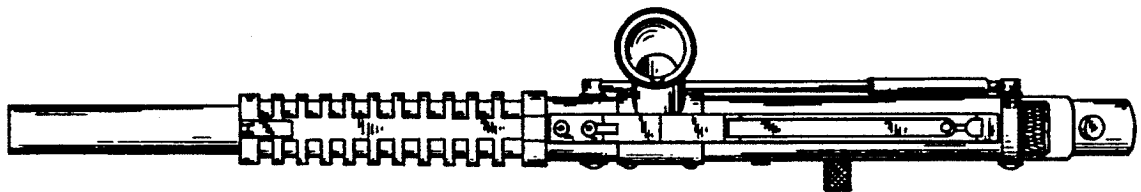
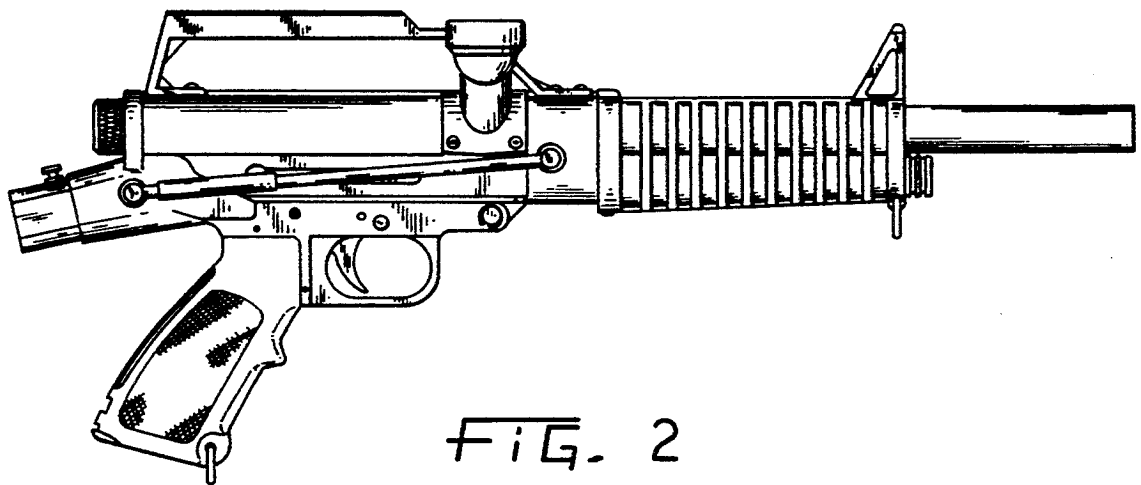
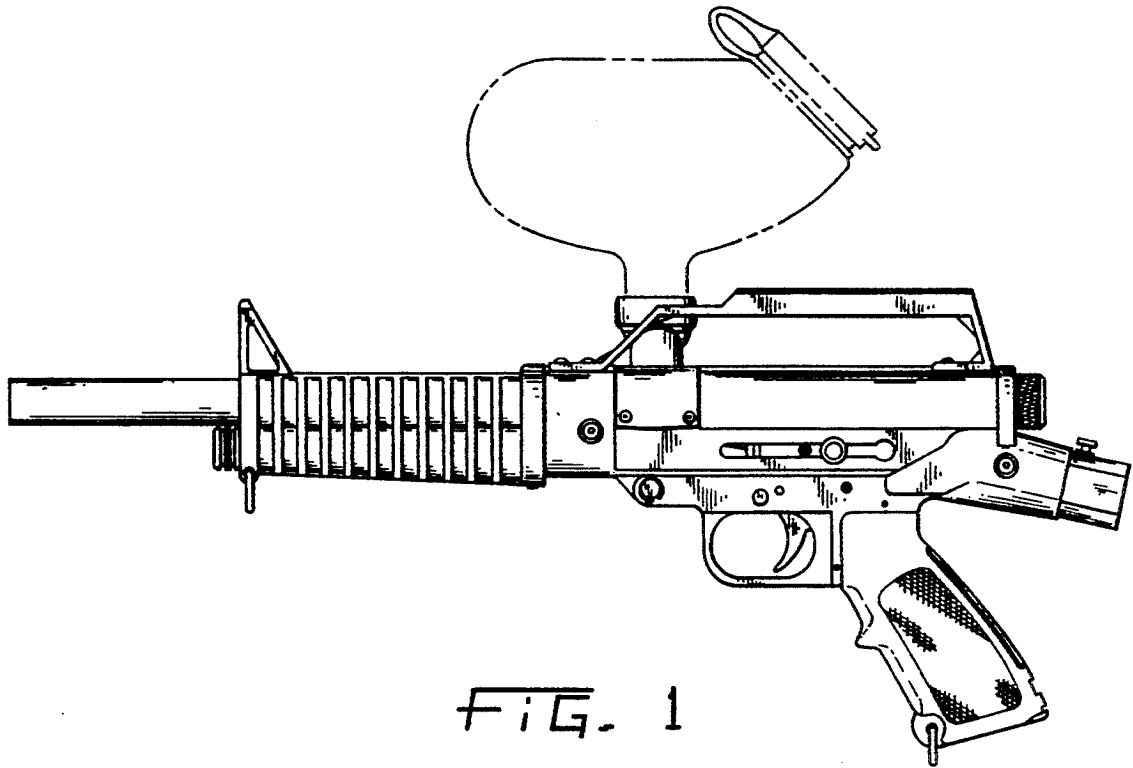
[57] **CLAIM**

The ornamental design for a paintball gun, as shown and described.

DESCRIPTION

FIG. 1 is a side elevational view of a paintball gun showing my new design;
FIG. 2 is an elevational view of the other side thereof;
FIG. 3 is a top elevational view thereof;
FIG. 4 is a bottom elevational view thereof;
FIG. 5 is an end elevational view thereof; and,
FIG. 6 is an elevational view of the other end thereof.
The broken line showing of environment in FIG. 1 is for illustrative purposes only and forms no part of the claimed design.





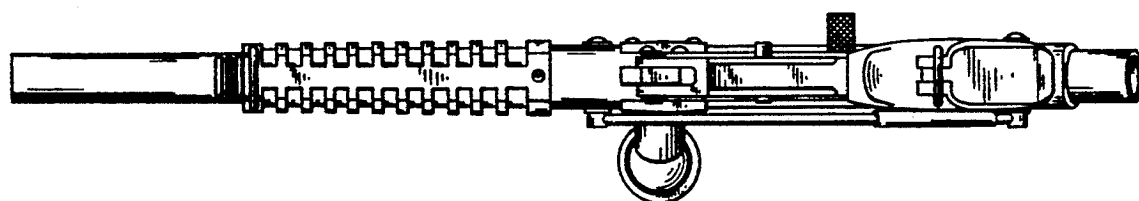


FIG. 4

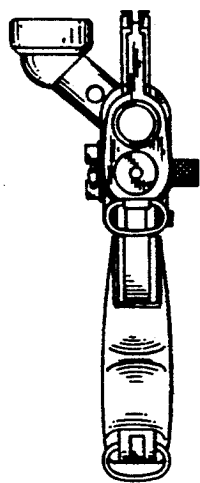


FIG. 5

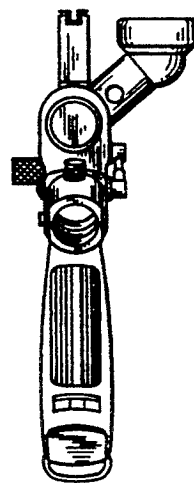


FIG. 6