



US00D353853S

United States Patent [19]

[11] Patent Number: Des. 353,853

Albritton

[45] Date of Patent: ** Dec. 27, 1994

- [54] PAINTBALL GUN BARREL
- [76] Inventor: Tom C. Albritton, 23214 Bane Berry, Magnolia, Tex. 77355
- [**] Term: 14 Years
- [21] Appl. No.: 15,307
- [22] Filed: Nov. 15, 1993
- [52] U.S. Cl. D21/145
- [58] Field of Search D21/145-147, D21/236, 237, 13; D22/101, 103-104, 107-108; D23/225, 224, 222; 446/180, 219, 267, 430, 473, 475; 124/25, 56, 71, 81, 83; 273/310-311, 313, 316, 349; 42/54; 362/110-114; 222/78-79

5,257,615 11/1993 Jones 124/56

OTHER PUBLICATIONS

Gun World Sep. 1978 p. 5 top of page.
Primary Examiner—Bernard Ansher
Assistant Examiner—R. Barkai
Attorney, Agent, or Firm—Harrison & Egbert

CLAIM

[57] The ornamental design for a paintball gun barrel, as shown and described.

DESCRIPTION

FIG. 1 is a front perspective view of a paintball gun barrel showing my design;
 FIG. 2 is a right side view thereof, the left side view being a mirror image thereof;
 FIG. 3 is a top view thereof, the bottom view being a mirror image thereof;
 FIG. 4 is an enlarged end view thereof; and,
 FIG. 5 is an enlarged opposite end view thereof.
 The broken line showing of a threaded barrel in FIGS. 1-3 is for illustrative purposes only and forms no part of the claimed design.

[56] **References Cited**
 U.S. PATENT DOCUMENTS

| | | | | |
|------------|---------|--------------|-------|---------|
| D. 198,270 | 5/1964 | Bloom | | D21/146 |
| D. 288,104 | 2/1987 | Barthropp | | D21/147 |
| 723,218 | 3/1903 | Stanley | | 42/54 |
| 1,327,723 | 1/1920 | Midyett | | 124/83 |
| 3,403,669 | 10/1968 | Crossman | | 42/54 |
| 5,119,641 | 6/1992 | Terry | | 446/267 |
| 5,228,427 | 7/1993 | Gardner, Jr. | | 124/71 |

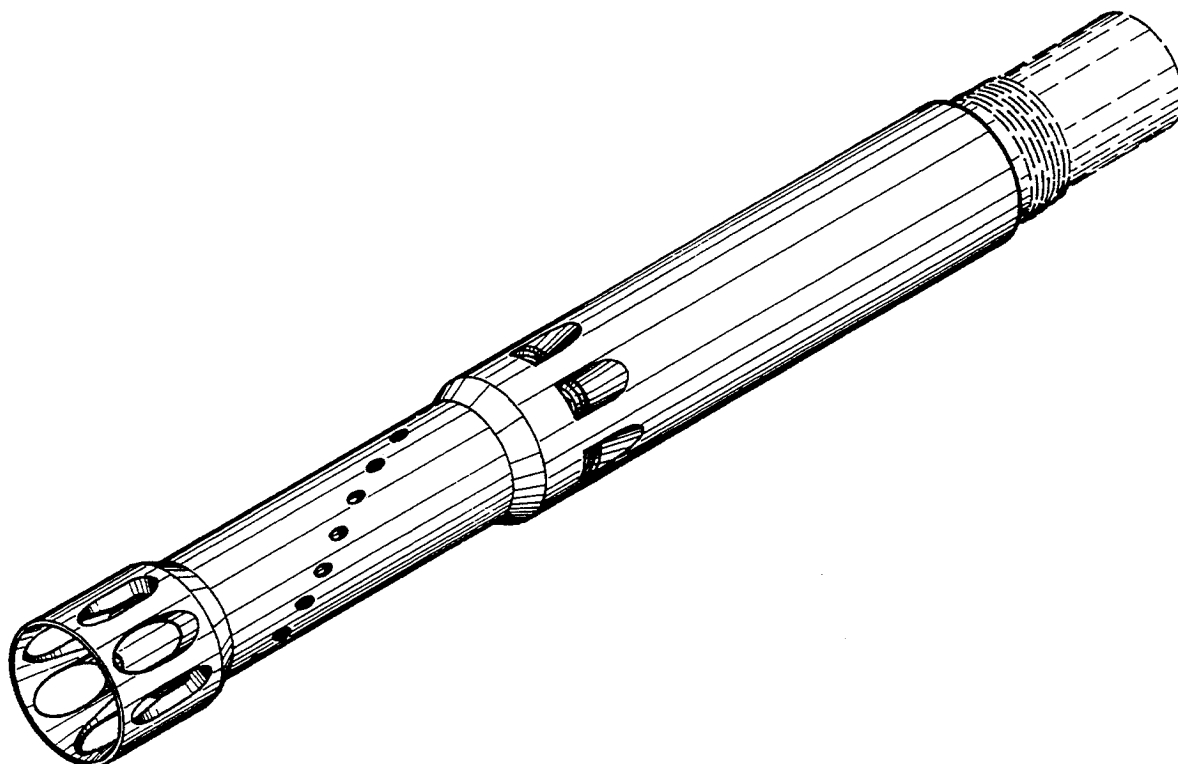


FIG. 1

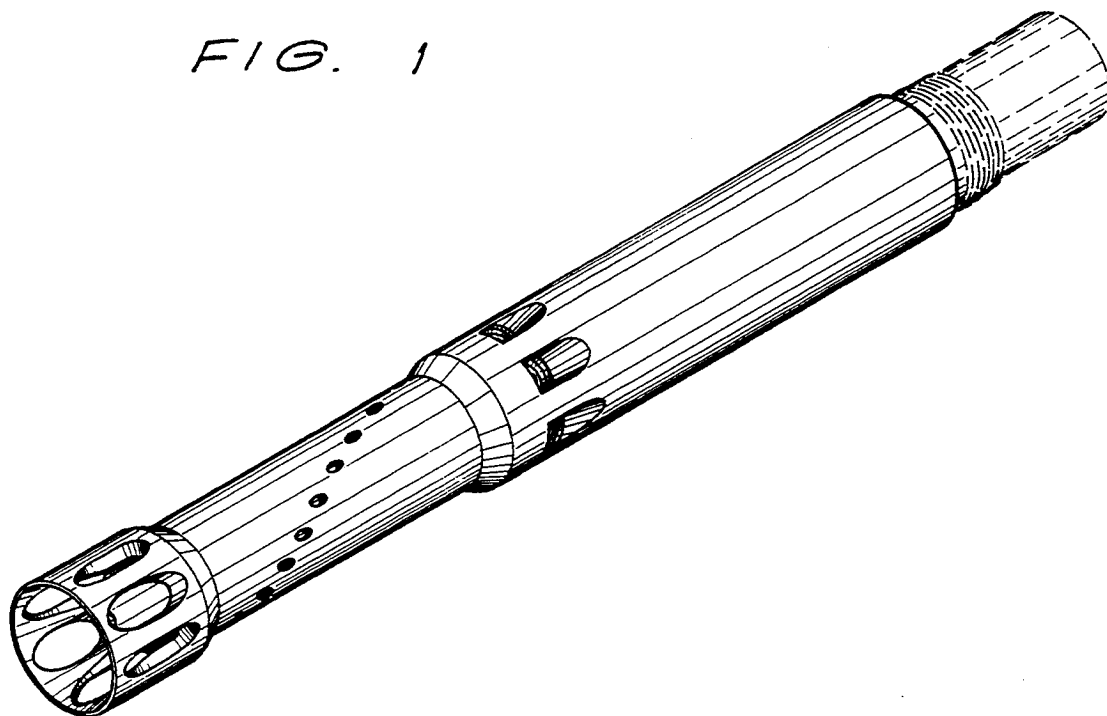


FIG. 2

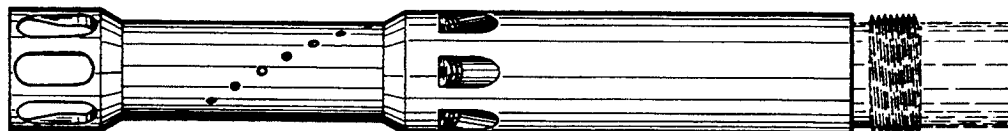


FIG. 3

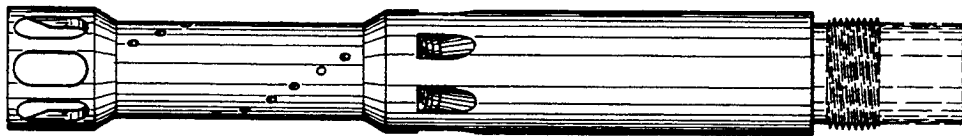


FIG. 4

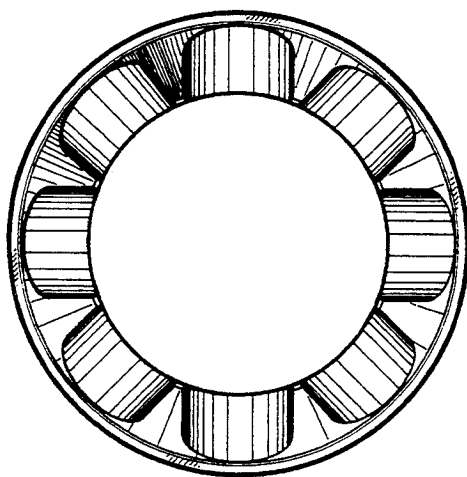


FIG. 5

